



KOHLER[®]engines

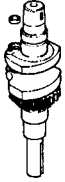
PARTS MANUAL
COMMAND 11,12.5,14,15 HP
Vertical Crankshaft

CV11 - Specs. 1101 - 1111
CV12.5 - Specs. 1201 - 1277
CV14 - Specs. 1401 - 1483
CV15 - Specs. 41508 - 41515

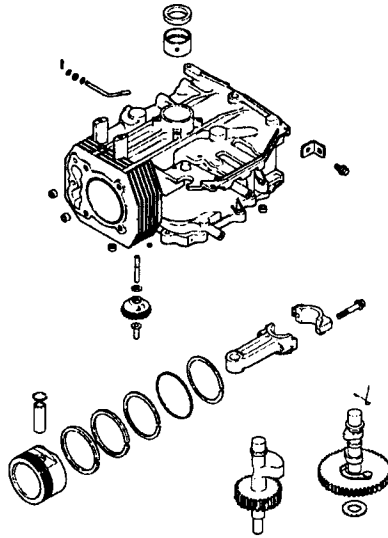
COMMAND

Composite Exploded View

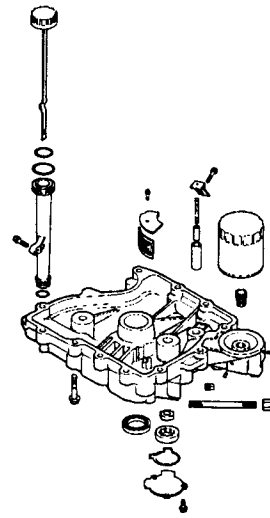
**Group 1
Crankshaft**



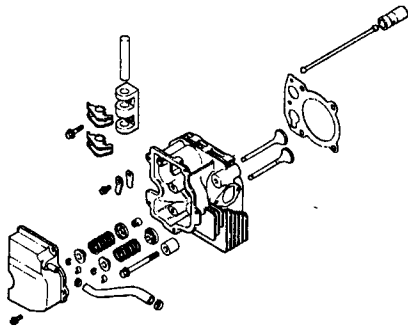
**Group 2
Crankcase**



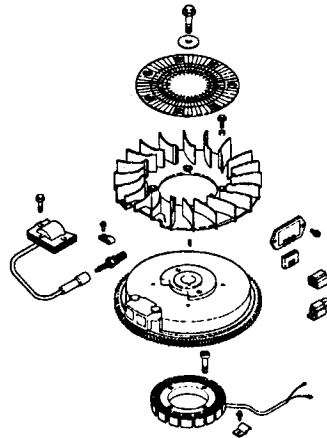
**Group 3
Oil Pan/Lubrication**



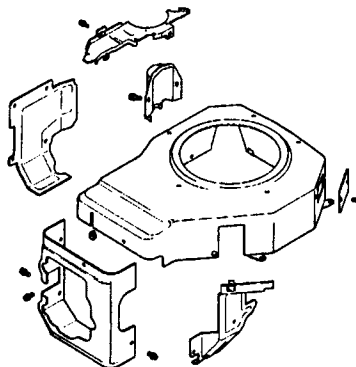
**Group 4
Head/Valve/Breather**



**Group 5
Ignition/Electrical**

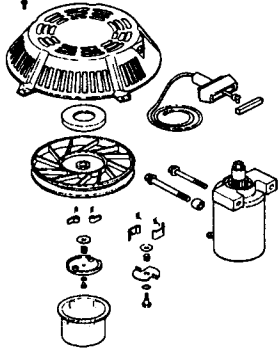


**Group 6
Blower Housing & Baffles**

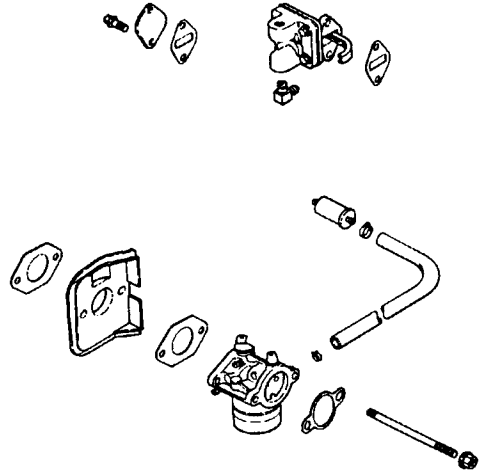


Composite Exploded View

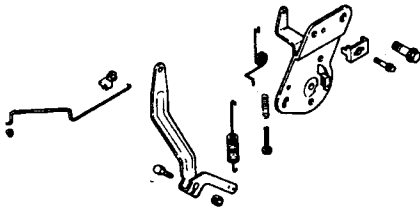
Group 7 Starting System



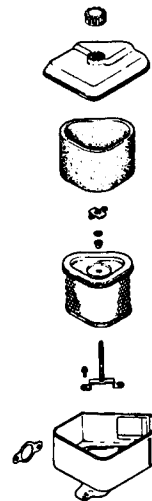
Group 8 Fuel System



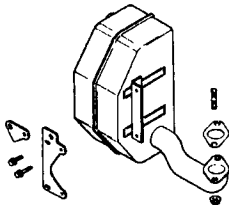
Group 9 Engine Controls



Group 10 Air Intake



Group 11 Exhaust



Specification Number Index

Group Title & Number	Crankshaft	Crankcase	Oil Pan/Lubrication	Head/Valve/Breather	Ignition/Electrical	Blower Housing & Baffles	Starting System	Fuel System	Engine Controls	Air Intake/Filtration	Exhaust
	1	2	3	4	5	6	7	8	9	10	11
Page No.	10	11	13	17	21	24	27	32	47	48	51
Grid No.	A10	A11	A13	B3	B7	B10	B13	C4	D5	D6	D9

Spec. No.	Variation No.										
1101	1	14	1	6	8	1	1	33	15	213	1
1102	1	14	1	6	2	245	228	33	15	1	1
1103	1	14	1	6	3	245	229	33	15	213	1
1104	1	14	7	6	8	1	1	34	15	213	1
1105	1	14	7	6	2	245	228	34	15	1	1
1109	1	2	2	5	33	206	6	281	19	3	21
1110	1	2	2	5	69	255	232	281	19	3	21
1111	1	2	2	13	78	232	228	83	15	3	46
1201	1	14	1	206	8	35	1	68	15	213	1
1202	1	14	1	206	2	246	228	68	15	1	1
1203	1	14	1	206	3	246	229	68	15	213	1
1204	1	14	7	206	8	35	1	269	15	213	1
1205	1	14	7	206	2	246	228	269	15	1	1
1206	1	2	2	217	85	200	6	81	19	1	249
1210	1	1	15	206	13	202	2	6	3	1	10
1211	1	19	6	206	5	247	10	17	2	1	209
1213	1	1	1	206	10	201	1	8	1	2	1
1214	1	1	1	206	13	2	2	9	5	2	4
1215	1	2	3	1	4	3	209	4	9	4	10
1216	1	2	3	1	4	203	209	5	9	4	10
1217	1	2	4	206	8	201	1	13	3	1	1
1218	1	2	4	206	2	2	2	13	3	1	1
1219	1	2	4	206	3	240	3	13	3	1	1
1220	1	1	5	206	8	241	1	1	3	1	1
1222	1	1	2	205	33	240	6	7	4	3	21
1223	1	2	7	206	3	240	3	10	3	1	1
1224	1	2	7	206	8	201	1	211	3	1	1
1225	1	2	7	206	2	242	2	211	3	1	1
1227	11	26	1	206	11	248	229	6	3	1	7
1229	1	1	1	206	8	201	1	6	3	1	1
1230	1	1	1	206	8	201	1	236	3	1	1
1235	1	1	9	206	35	202	2	14	2	1	1
1237	1	1	10	206	21	242	2	212	2	1	13
1240	1	2	1	206	8	201	1	217	3	1	1
1241	1	14	11	206	60	220	1	265	19	223	1
1242	1	2	12	6	32	2	2	22	3	1	15
1243	1	2	12	6	8	201	1	200	3	1	1
1245	1	2	1	6	202	202	2	11	3	1	1
1246	1	1	1	6	200	242	2	6	3	1	1
1247	1	2	17	6	13	242	2	37	3	1	11
1248	1	2	6	6	8	201	1	11	2	1	1
1249	1	2	3	6	4	215	9	4	3	1	10
1250	1	2	3	6	4	15	9	5	3	1	10
1251	1	2	2	6	223	240	6	7	4	1	3
1252	1	14	28	6	61	220	1	264	15	223	1

Specification Number Index

Group Title & Number	Crankshaft	Crankcase	Oil Pan/Lubrication	Head/Valve/Breather	Ignition/Electrical	Blower Housing & Baffles	Starting System	Fuel System	Engine Controls	Air Intake/Filtration	Exhaust
	1	2	3	4	5	6	7	8	9	10	11
Page No.	10	11	13	17	21	24	27	32	47	48	51
Grid No.	A10	A11	A13	B3	B7	B10	B13	C4	D5	D6	D9

Spec. No.

Variation No.

1253	11	36	1	6	208	201	1	50	3	1	1
1254	1	14	1	8	66	222	1	74	15	223	16
1255	1	2	2	17	223	200	6	281	19	1	200
1256	1	14	1	6	62	220	1	53	15	212	1
1257	11	36	3	6	52	19	21	55	15	1	10
1259	1	14	32	6	67	247	228	11	2	1	222
1260	11	36	204	6	53	247	228	57	3	1	22
1261	1	2	2	17	23	246	232	281	19	1	200
1262	11	36	3	6	4	215	9	55	15	1	10
1263	11	36	3	6	4	15	9	54	15	1	10
1264	11	36	3	6	52	219	21	54	15	1	10
1265	1	14	202	6	62	20	1	72	15	223	1
1266	11	36	40	6	53	242	2	57	3	1	22
1268	11	29	239	10	75	28	2	82	15	1	43
1269	1	14	1	6	66	22	1	53	15	224	1
1270	11	29	43	10	91	39	21	90	3	1	47
1274	11	31	17	10	87	34	228	11	2	1	247
1275	1	14	1	6	60	20	1	65	19	202	1
1276	1	2	2	17	85	200	6	81	19	1	1
1277	11	36	15	15	88	234	228	101	15	1	11
1401	1	13	1	206	8	235	1	70	15	213	1
1402	1	13	1	206	2	45	228	70	15	1	1
1403	1	13	1	206	3	45	229	70	15	213	1
1404	1	13	7	206	64	235	1	260	15	213	1
1405	1	13	7	206	2	45	228	260	15	1	1
1406	1	1	2	217	85	6	6	81	19	1	249
1408	1	1	5	6	13	204	2	41	3	1	11
1409	1	13	1	206	62	221	1	263	15	224	1
1410	1	13	1	206	63	207	228	62	20	224	28
1411	1	13	1	206	64	221	1	271	15	223	1
1412	1	13	1	208	66	208	1	275	15	223	16
1413	1	13	11	206	60	213	1	16	19	223	1
1414	1	13	1	206	60	213	1	18	19	1	1
1415	11	35	12	6	31	209	2	21	3	1	215
1416	1	13	4	206	50	207	228	206	2	213	1
1417	1	13	1	206	60	213	1	61	19	223	1
1418	11	26	6	206	5	210	210	1	2	1	209
1419	1	13	2	206	30	211	3	13	3	1	1
1420	1	13	5	6	64	213	1	271	15	223	1
1422	11	26	201	6	37	205	22	1	4	1	22
1423	1	1	1	6	8	212	1	6	3	1	1
1424	1	1	18	6	2	204	2	6	3	1	1
1425	1	1	18	6	2	242	2	6	3	1	1
1426	1	1	2	5	33	211	6	281	19	3	221
1427	1	13	6	6	64	213	1	260	2	223	1

For Short Blocks and Replacement Engines refer to Selection Guide TP-2409-C.

Contact your Kohler engines parts supplier for any specification not listed.

Specification Number Index

Group Title & Number	Crankshaft	Crankcase	Oil Pan/Lubrication	Head/Valve/Breather	Ignition/Electrical	Blower Housing & Baffles	Starting System	Fuel System	Engine Controls	Air Intake/Filtration	Exhaust
	1	2	3	4	5	6	7	8	9	10	11
Page No.	10	11	13	17	21	24	27	32	47	48	51
Grid No.	A10	A11	A13	B3	B7	B10	B13	C4	D5	D6	D9

Spec. No.

Variation No.

1428	1	13	21	6	263	207	228	40	15	213	13
1429	1	13	1	8	67	17	10	275	15	223	16
1430	1	13	9	6	35	209	2	14	2	1	1
1431	11	26	40	6	53	204	2	242	15	1	22
1432	1	13	1	6	203	211	3	6	3	1	1
1433	1	13	15	6	63	214	2	6	3	1	210
1434	1	13	28	6	61	221	1	266	15	223	1
1436	1	1	5	6	13	204	2	41	3	1	11
1437	1	1	1	6	46	213	14	236	3	1	32
1438	1	1	17	6	13	242	2	45	3	1	11
1441	11	26	22	6	55	216	22	201	15	1	22
1443	1	13	17	6	63	217	2	45	3	201	11
1444	11	26	32	6	67	204	2	6	2	1	22
1445	11	26	206	11	63	224	228	59	3	201	11
1446	1	13	206	6	63	24	2	59	3	1	11
1447	1	13	1	6	59	45	229	260	19	202	1
1448	1	13	202	6	62	218	1	73	15	223	1
1449	1	13	1	6	64	218	1	36	15	223	35
1450	11	26	40	6	53	204	2	42	15	1	22
1451	11	26	239	10	75	25	2	59	3	201	43
1452	11	26	239	10	75	25	228	80	3	201	43
1453	11	26	239	10	75	228	228	59	3	1	43
1454	11	26	239	10	75	225	228	80	3	1	43
1456	11	26	239	10	76	230	228	80	3	1	43
1457	1	1	2	13	78	223	228	83	15	3	246
1458	11	26	239	10	76	230	2	59	3	1	43
1461	1	13	1	6	66	227	1	63	15	224	1
1462	1	13	1	6	62	229	1	60	15	223	1
1463	14	41	43	10	91	231	21	91	3	1	47
1464	1	13	1	8	83	227	1	92	15	223	1
1465	1	13	1	8	82	218	1	92	15	223	1
1466	1	13	1	6	60	218	1	16	19	223	1
1467	11	30	46	16	71	233	2	202	2	8	48
1468	11	26	40	6	88	236	2	96	15	1	22
1469	11	26	201	6	89	36	26	71	15	1	22
1470	11	26	40	6	88	237	2	96	15	1	22
1472	11	26	17	10	87	34	228	6	2	1	247
1473	11	26	201	6	89	36	26	71	15	1	22
1474	11	26	15	15	88	34	228	60	15	1	201
1476	1	13	1	6	56	218	1	98	15	213	1
1477	1	1	2	17	85	6	6	81	19	1	249
1478	1	13	7	6	2	45	228	60	15	1	7
1479	1	13	1	6	61	218	1	66	15	203	1
1480	1	1	48	17	95	238	31	81	19	1	249
1481	7	1	49	5	233	239	6	81	19	1	249

8 Contact your Kohler engines parts supplier for any specification not listed.

For Short Blocks and Replacement Engines refer to Selection Guide TP-2409-C.

Specification Number Index

Group Title & Number	Crankshaft	Crankcase	Oil Pan/Lubrication	Head/Valve/Breather	Ignition/Electrical	Blower Housing & Baffles	Starting System	Fuel System	Engine Controls	Air Intake/Filtration	Exhaust
	1	2	3	4	5	6	7	8	9	10	11
Page No.	10	11	13	17	21	24	27	32	47	48	51
Grid No.	A10	A11	A13	B3	B7	B10	B13	C4	D5	D6	D9

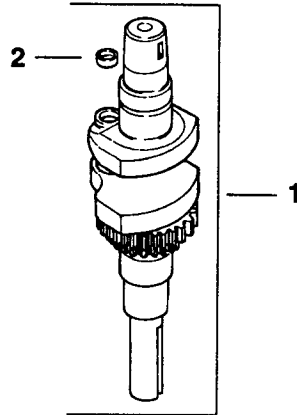
Spec. No.

Variation No.

1482	1	13	1	6	2	46	28	60	15	1	213
1483	1	13	1	6	8	218	1	71	15	13	1
41508	11	38	39	18	75	243	228	59	3	201	43
41509	12	39	39	18	75	41	228	80	3	1	43
41510	11	38	204	18	88	42	228	96	15	1	22
41511	11	38	204	18	88	42	228	96	15	1	22
41514	11	38	39	18	75	41	28	59	3	1	43
41515	11	40	46	18	71	44	2	102	2	8	48

CV11,12.5,14,15

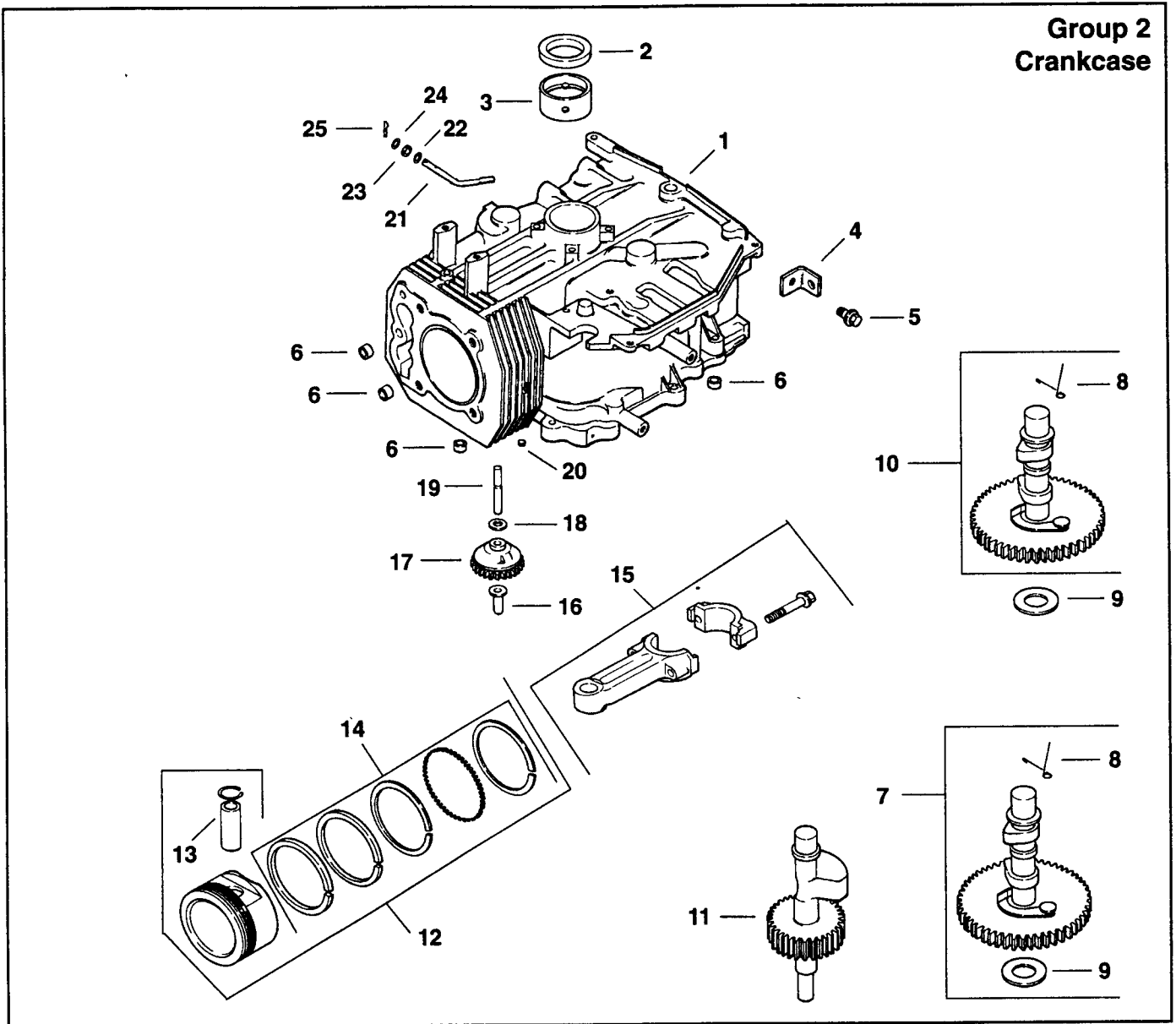
Group 1 Crankshaft



Index Number	Description Variation Number	Part Number	Index Number	Description Variation Number	Part Number
1	Crankshaft (Includes 2) 1,11,14	12 014 02	1	Crankshaft (Includes 2) 12	12 014 22
1	Crankshaft (Includes 2) 7	12 014 08	2	Plug, cup 1,7,11,12,14	12 139 01

CV11,12.5,14,15

Group 2 Crankcase



Index Number	Description Variation Number	Part Number	Index Number	Description Variation Number	Part Number
1	Crankcase (Service with a Short Block. Refer to Selection Guide TP-2409-C) 1,2,13,14,19,26,29,30,31,35,36, 38,39,40,41		5	Screw, lifting strap M8x1.25x25 1,2,13,14,19,26,29,30,31,35,36, 38,39,40,41	M-0839025
2	Seal, crankshaft 1,2,13,14,19,26,29,30,31,35,36, 38,39,40,41	12 032 03	6	Dowel, locating (4) 1,2,13,14,19,26,29,30,31,35,36, 38,39,40,41	12 380 03
3	Bearing, crankshaft (Std.) 1,2,13,14,19,26,35,36	12 030 01'	7	Kit, camshaft (Includes 8,9) 14,19,29,31,36	12 755 50
3	Bearing, crankshaft (.25) 1,2,13,14,19,26,35,36	12 030 02'	7	Kit, camshaft (Includes 8,9) 13,26,35,39	12 755 49
3	Bearing, crankshaft (.50) 1,2,13,14,19,26,35,36	12 030 03'	7	Kit, camshaft (Includes 8,9) 41	12 755 56
4	Strap, lifting 1,2,13,14,19,26,29,30,31,35,36, 38,39,40,41	12 445 02			

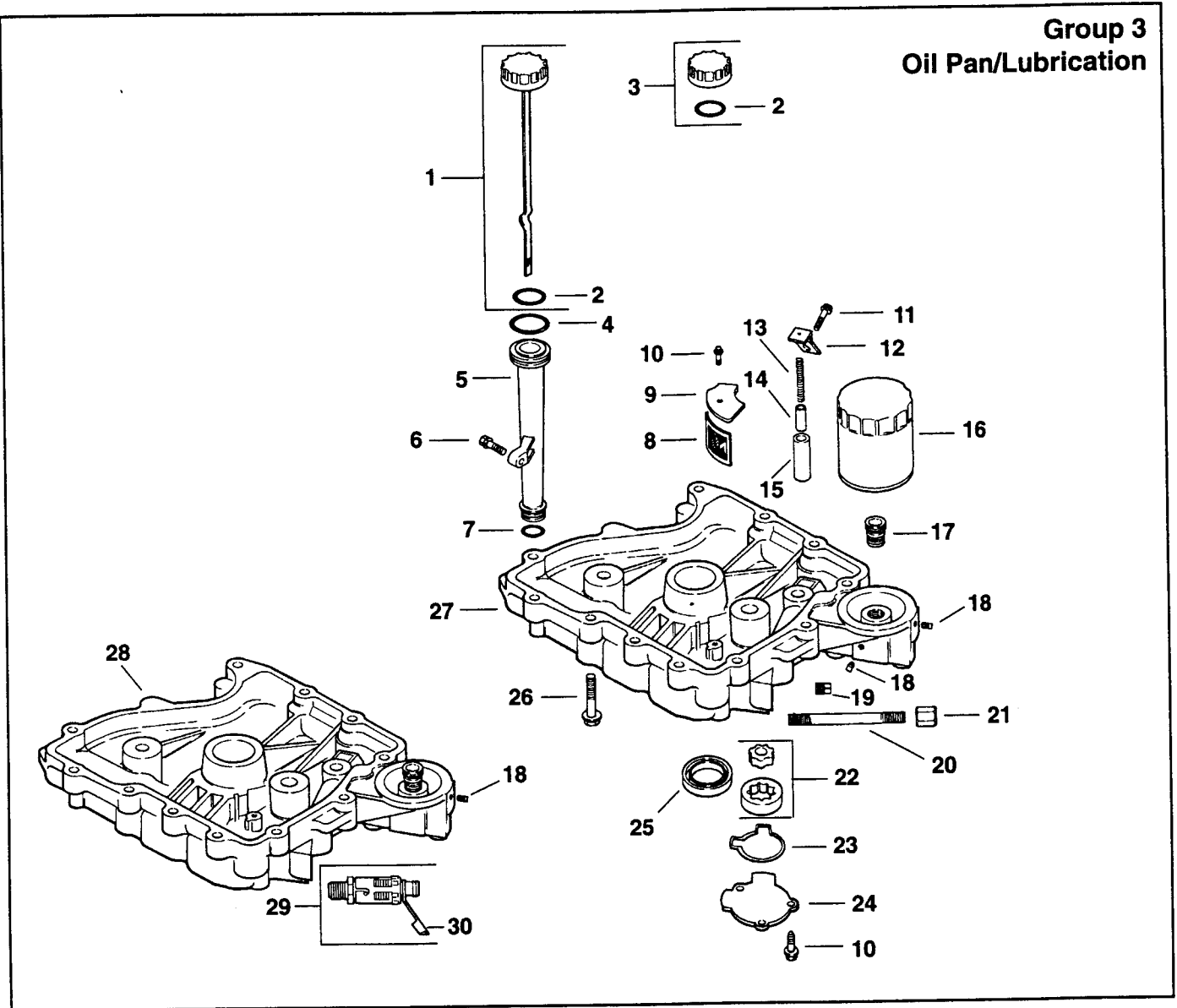
NOTE: Order these parts according to design used on engine.

**Crankcase
(Cont.)**

CV11,12.5,14,15

Index Number	Description Variation Number	Part Number	Index Number	Description Variation Number	Part Number
8	Spring, actuating (ACR) 1,2,13,14,19,26,29,30,31,35,36, 38,39,40,41	12 089 18	14	Ring Set (Std.) 1,2,13,14,19,26,29,30,31,35,36, 41	12 108 01
9	Shim, camshaft (yellow) 1,2,13,14,19,26,29,30,31,35,36, 38,39,40,41	12 422 10	14	Ring Set (Std.) 38,39,40	12 108 07
9	Shim, camshaft (A.R.) (green) 1,2,13,14,19,26,29,30,31,35,36, 38,39,40,41	12 422 09	14	Ring Set (.25) 1,2,13,14,19,26,29,30,31,35,36, 41	12 108 02
9	Shim, camshaft (A.R.) (black) 1,2,13,14,19,26,29,30,31,35,36, 38,39,40,41	12 422 13	14	Ring Set (.25) 38,39,40	12 108 08
9	Shim, camshaft (A.R.) (white) 1,2,13,14,19,26,29,30,31,35,36, 38,39,40,41	12 422 07	14	Ring Set (.50) 1,2,13,14,19,26,29,30,31,35,36, 41	12 108 03
9	Shim, camshaft (A.R.) (blue) 1,2,13,14,19,26,29,30,31,35,36, 38,39,40,41	12 422 08	14	Ring Set (.50) 38,39,40	12 108 09
9	Shim, camshaft (A.R.) (red) 1,2,13,14,19,26,29,30,31,35,36, 38,39,40,41	12 422 11	15	Connecting Rod (Std.) (Replaced by 12 067 05) 1,2,13,14,19,26,29,30,35,36	12 067 01
9	Shim, camshaft (A.R.) (gray) 1,2,13,14,19,26,29,30,31,35,36, 38,39,40,41	12 422 12	15	Connecting Rod (Std.) 31,38,39,40,41	12 067 05
10	Camshaft assembly (Includes 8) 1,38	12 010 01	15	Connecting Rod (.25) (Replaced by 12 067 06) 1,2,13,14,19,26,29,30,35,36	12 067 02
10	Camshaft assembly (Includes 8) 2,30,40	12 010 02	15	Connecting Rod (.25) 31,38,39,40,41	12 067 06
11	Shaft, balance (Replaced by 12 144 19) 1,2,13,14,19,26,29,30,31,35,36	12 144 04	16	Pin, governor regulating 1,2,13,14,19,26,29,30,31,35,36, 38,39,40,41	12 380 01
11	Shaft, balance 31,38,39,40,41	12 144 19	17	Gear, governor 1,2,13,14,19,26,29,30,31,35,36, 38,39,40,41	12 043 05
12	Piston w/Ring Set (Std.) 1,2,13,14,19,26,29,30,31,35,36, 41	12 874 01	18	Washer, governor gear thrust 1,2,13,14,19,26,29,30,31,35,36, 38,39,40,41	SM-0631005
12	Piston w/Ring Set (Std.) 38,39,40	12 874 07	19	Shaft, governor gear 1,2,13,14,19,26,29,30,31,35,36, 38,39,40,41	12 144 02
12	Piston w/Ring Set (.25) 1,2,13,14,19,26,29,30,31,35,36, 41	12 874 02	20	Plug, cup 1,2,13,14,19,26,29,30,31,35,36, 38,39,40,41	52 139 09
12	Piston w/Ring Set (.25) 38,39,40	12 874 08	21	Shaft, governor cross 1,2,13,14,19,26,29,30,31,35,36, 38,39,40,41	12 144 01
12	Piston w/Ring Set (.50) 1,2,13,14,19,26,29,30,31,35,36, 41	12 874 03	22	Washer, plain 1/4" 1,2,13,14,19,26,29,30,31,35,36, 38,39,40,41	X-25-102
12	Piston w/Ring Set (.50) 38,39,40	12 874 09	23	Seal, governor cross shaft 1,2,13,14,19,26,29,30,31,35,36, 38,39,40,41	12 032 01
13	Retainer, piston pin (2) 1,2,13,14,19,26,29,30,31,35,36, 38,39,40,41	12 018 02	24	Washer, governor shaft 1,2,13,14,19,26,29,30,31,35,36, 38,39,40,41	SM-0631015
			25	Pin, governor hitch 1,2,13,14,19,26,29,30,31,35,36, 38,39,40,41	12 380 04

Group 3
Oil Pan/Lubrication



Index Number	Description Variation Number	Part Number	Index Number	Description Variation Number	Part Number
1	Dipstick assembly (Includes 2) 1,2,4,5,6,7,9,10,11,12,15,17,18, 22,28,32,39,40,46,48,49,201,202, 204,206,239	12 038 01	3	Kit, oil cap (Includes 2) 3,21,43	24 755 46
1	Dipstick assembly (Includes 2) 3,21,43	12 038 02	4	O-Ring, oil fill tube (upper) 1,2,3,4,5,6,7,9,10,11,12,15,17,18, 21,22,28,32,39,40,43,46,48,49, 201,202,204,206,239	12 153 02
2	O-Ring, dipstick 1,2,3,4,5,6,7,9,10,11,12,15,17,18, 21,22,28,32,39,40,43,46,48,49, 201,202,204,206,239	12 153 03	5	Tube, oil fill 1,2,3,4,5,6,7,9,10,11,12,15,17,18, 21,22,28,32,39,40,43,46,48,49, 201,202,204,206,239	12 123 04
3	Kit, oil fill cap (Includes 2) 1,2,4,5,6,7,9,10,11,12,15,17,18, 22,28,32,39,40,46,48,49,201,202, 204,206,239	25 755 13	6	Screw, hex. flange M5x0.8x20 1,2,3,4,5,6,7,12,15,17,21,22,32, 39,40,43,48,49,201,202,204,206, 239	SM-0545020
			6	Screw, hex. flange M5x0.8x20 (2) 9,10,11,18,28,46	*SM-0545020

**Oil Pan/Lubrication
(Cont.)**

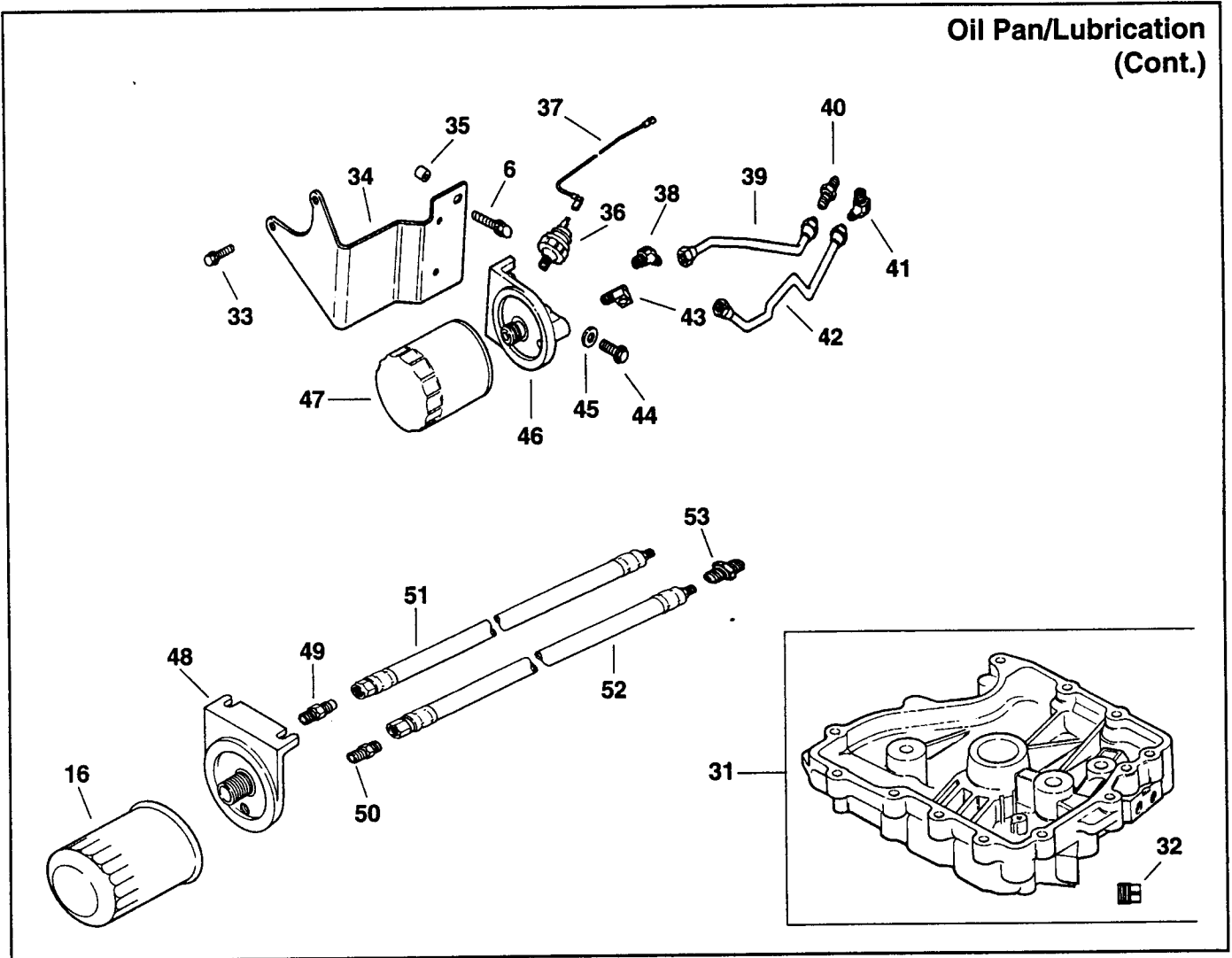
CV11,12.5,14,15

Index Number	Description Variation Number	Part Number	Index Number	Description Variation Number	Part Number
7	O-Ring, oil fill tube (lower) 1,2,3,4,5,6,7,9,10,11,12,15,17,18, 21,22,28,32,39,40,43,46,48,49, 201,202,204,206,239	12 153 01	19	Plug, sq. hd. solid 3/8" N.P.T.F. (Before Serial No. 2415200014 use qty. 1, after Serial No. 2415200004 use qty. 2) 201,202,204	X-75-10'
8	Screen, oil pick-up 1,2,3,4,5,6,7,9,10,11,12,15,17,18, 21,22,28,32,39,40,43,46,48,49, 201,202,204,206,239	12 162 02	20	Nipple, pipe 5.3" 3,12,18	12 136 04
9	Cover, oil pick-up screen 1,2,3,4,5,6,7,9,10,11,12,15,17,18, 21,22,28,32,39,40,43,46,48,49, 201,202,204,206,239	12 096 03	20	Nipple, pipe 4" 22	25 136 12
10	Screw, hex. flange M5x0.8x16 (4) 1,2,3,4,5,6,7,9,10,11,12,15,17,18, 21,22,28,32,39,40,43,46,48,49, 201,202,204,206,239	SM-0545016	20	Nipple, pipe 1.5" 40	12 136 07
11	Screw, hex. flange M10x1.5x25 1,2,3,4,5,6,7,9,10,11,12,15,17,18, 21,22,28,32,39,40,43,46,48,49, 201,202,204,206,239	M-1039025	20	Nipple, pipe 4" (Use before Serial No. 2415200014) 201	25 136 12
12	Bracket, oil pump relief 1,2,3,4,5,6,7,9,10,11,12,15,17,18, 21,22,28,32,39,40,43,46,48,49, 201,202,204,206,239	12 126 02	20	Nipple, pipe 3" (Use before Serial No. 2415200014) 202	12 136 10
13	Spring, oil pump relief valve 1,2,3,4,5,6,7,9,10,11,12,15,17,18, 21,22,28,32,39,40,43,46,48,49, 201,202,203,204,239	12 089 03	20	Nipple, pipe 1.5" (Use before Serial No. 2415200014) 204	12 136 07
14	Piston, oil pump relief valve 1,2,3,4,5,6,7,9,10,11,12,15,17,18, 21,22,28,32,39,40,43,46,48,49, 201,202,204,206,239	12 462 01	21	Cap, pipe 3,12,18,22,40	12 173 03
15	Body, oil pump relief valve 1,2,3,4,5,6,7,9,10,11,12,15,17,18, 21,22,28,32,39,40,43,46,48,49, 201,202,204,206,239	12 208 01	21	Cap, pipe (Use before Serial No. 2415200014) 201,202,204	12 173 03
16	Filter, oil 1,2,3,4,5,7,9,11,12,15,18,21,22, 40,46,48,49,201,202,204	52 050 02	22	Pump, oil 1,2,3,4,5,6,7,9,10,11,12,15,17,18, 21,22,28,32,39,40,43,46,48,49, 201,202,204,206,239	12 393 01
16	Filter, oil (Use before Serial No. 2134500014) 206	52 050 02	23	O-Ring, oil pump cover 1,2,3,4,5,6,7,9,10,11,12,15,17,18, 21,22,28,32,39,40,43,46,48,49, 201,202,204,206,239	12 032 04
17	Adapter, oil filter (Use before Serial No. 2325200014) 1,2,3,4,5,6,12,15,17,18,21,22,32, 40,43,201,202,204,206	12 136 01'	24	Cover, oil pump 1,2,3,4,5,6,7,9,10,11,12,15,17,18, 21,22,28,32,39,40,43,46,48,49, 201,202,204,206,239	12 096 02
18	Plug, sq. hd. solid 1/8" N.P.T.F. (Before Serial No. 2325200014 use qty. 2, after Serial No. 2325200004 use qty. 1) 1,3,21,22,32,201,202	X-75-1'	25	Seal, oil (PTO end) 1,2,3,4,5,6,7,9,10,11,12,15,17,18, 21,22,28,32,39,40,43,46,48,49, 201,202,204,206,239	12 032 03
18	Plug, sq. hd. solid 1/8" N.P.T.F. (Use before Serial No. 2325200014) 2,4,18	X-75-1'	26	Screw, hex. flange M8x1.25x45 (12) 1,2,3,4,5,6,7,9,10,11,12,15,17,18, 21,22,28,32,39,40,43,46,48,49, 201,202,204,206,239	SM-0839045
19	Plug, sq. hd. solid 3/8" N.P.T.F. 3,12,18,22,28,39,40,49,239	X-75-10	27	Pan, oil (Replaced by 12 199 21) 1,2,3,4,5,6,12,15,17,18,21,22,32, 40,201,202,204,206	12 199 09
19	Plug, sq. hd. solid 3/8" N.P.T.F. (2) 1,2,4,5,6,7,9,10,11,15,17,21,28, 32,46,48,206	X-75-10	28	Pan, oil 29,43,239	12 199 30
			28	Pan, oil 48,49	12 199 21
			29	Kit, oil drain valve (Includes 30) 43,49	25 755 14
			30	Cap, oil drain valve 43,49	25 173 14

*NOTE: Order these parts according to design used on engine.

CV11,12.5,14,15

Oil Pan/Lubrication (Cont.)



Index Number	Description Variation Number	Part Number	Index Number	Description Variation Number	Part Number
31	Kit, oil pan (Includes 32) 7,9,10,11,28,46	12 199 06	36	Switch, oil pressure 2,4,9,10,18,40,49,204	52 099 06
32	Plug, allen hd. 1/8" pipe (Use before Serial No. 2325200014) 15,17,40,201	X-75-23'	36	Switch, oil pressure 48	52 099 05
32	Plug, allen hd. 1/8" pipe (Before Serial No. 2325200014 use qty. 2, after Serial No. 2325200004 use qty. 1) 5,6,12,206	X-75-23'	37	Lead, green (12" - 18 gauge - insulated push on tab, uninsulated push on tab terminals) 4,15,17,18,40,204	52 518 21
32	Plug, allen hd. 1/8" pipe 7,11,46	X-75-23	37	Lead, green (16" - 18 gauge - insulated push on tab, uninsulated push on tab terminals) 9,10	52 518 13
32	Plug, allen hd. 1/8" pipe (2) 9,10,46	X-75-23	38	Connector 11	12 155 01
33	Screw, hex. flange M6x1.0x25 (2) 9,10,11,28,46	M-0645025	39	Line, oil return 9,10,28,46	12 353 05
34	Bracket - oil filter to mount 9,10,11,28,46	12 126 12	39	Line, oil return 11	12 353 09
35	Spacer 9,10,11,28,46	47 112 21	40	Fitting, straight 1/4-18 N.P.T.F. (2) 9,10,11,28,46	12 294 01

NOTE: Order these parts according to design used on engine.

**Oil Pan/Lubrication
(Cont.)**

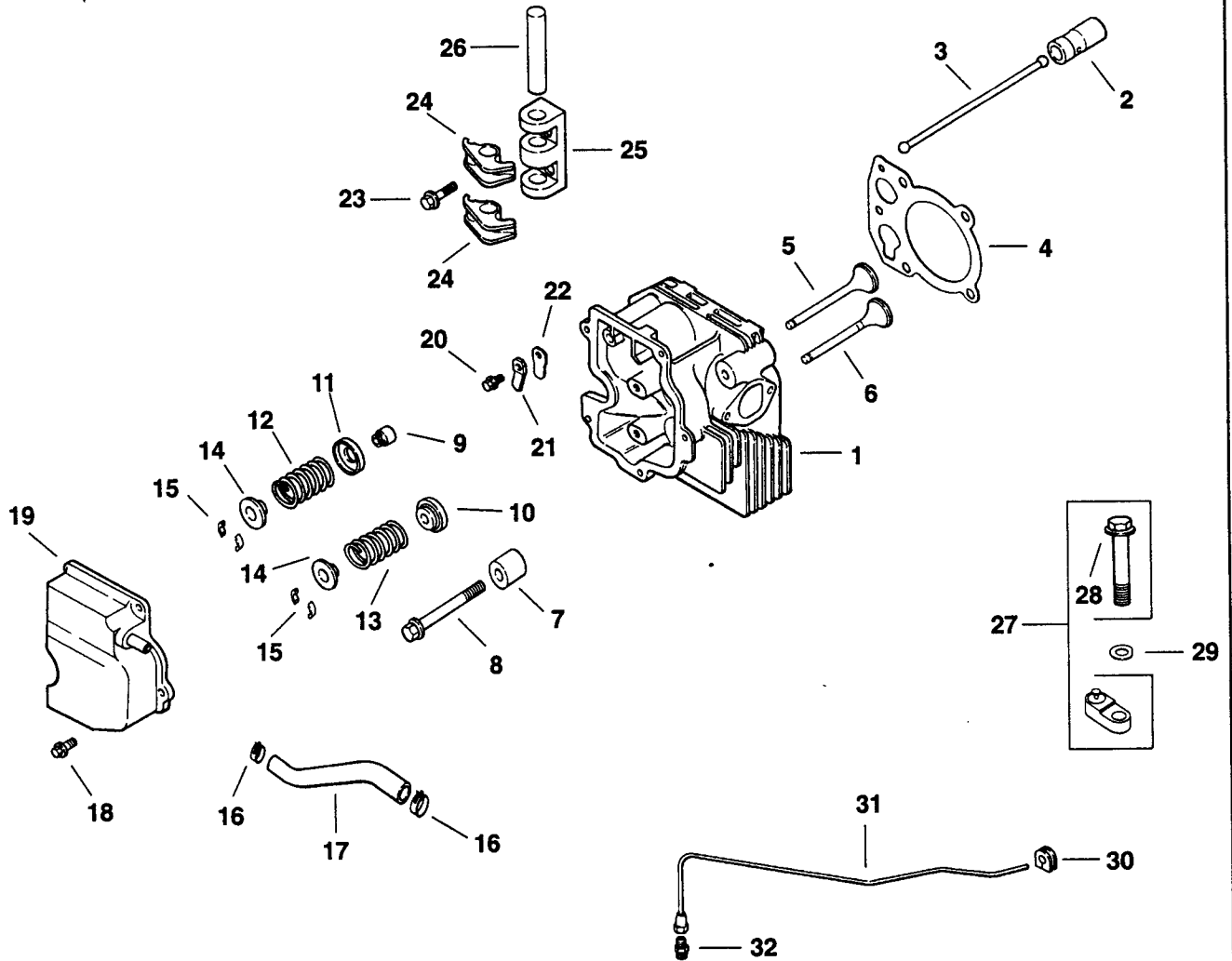
CV11,12.5,14,15

Index Number	Description Variation Number	Part Number	Index Number	Description Variation Number	Part Number
41	Fitting, 45° elbow 1/8x1/8" N.P.T.F. 9,10,11,28	12 294 03	47	Filter, oil (Use after Serial No. 2134500004) 206	12 050 01
41	Elbow, street 45° 1/8x1/8" N.P.T.F. (Use before Serial No. 2118400014) 7	25 054 01	48	Adapter, remote oil 7,11	25 029 01
42	Line, oil supply 9,10,11,28,46	12 353 06	49	Nipple, hex. (1/4-18 N.P.T.F. x 1" long) 7	52 136 02
43	Fitting, 90° elbow 1/4-18 N.P.T.F. 9,10,28,46	12 294 02	50	Connector, reducing (1/2-20 SAE 45° flare male, 1/4-18 N.P.T.F. x 1-5/16" long) 7	52 155 03
43	Elbow, street 3/8" N.P.T.F. 11	X-555-2	51	Oil line (white tracer) (1/2-20 SAE 45° flare female swivel coupling, 1/8-27 N.P.T.F. male rigid coupling x 16" long) 7	12 326 04
43	Elbow, street 1/8" N.P.T.F. (Before Serial No. 2415200014) 201	12 054 03	52	Oil line (red tracer) (1/4-18 NPSM female swivel coupling, 1/8-27 N.P.T.F. male rigid coupling x 16" long) 7	12 326 05
44	Screw, hex. flange M6x1.0x16 (2) 9,10,11,28,46	M-0639016	53	Connector, reducing (1/2-20 SAE 45° male flare, 1/8-27 N.P.T.F. x 1-1/8" long) 11	52 155 07
45	Washer, plain 1/4" (2) 9,10,11,28,46	X-25-53			
46	Adapter, remote oil filter 9,10,28,46	12 029 02			
47	Filter, oil 6,9,10,17,28,32,39,43,239	12 050 01			

CV11,12.5,14,15

Style "A"

Group 4
Head/Valve/Breather



Index Number	Description Variation Number	Part Number	Index Number	Description Variation Number	Part Number
<p>The design of the cylinder head assembly has gone through a series of changes. Refer to Style "A" and "B" and order marked (*) parts according to design used on engine. Variations 10,15,16,18 were built with Style "B" only.</p>					
1	Head, cylinder (Replaced by 12 755 58) 1,5,6,8,11,17,205,206,208,217	12 318 01*	4	Gasket, cylinder head 1,5,6,8,10,11,13,15,16,17,205, 206,208,217	12 041 08
1	Head, cylinder (Replaced by 12 755 58) 13	12 318 03*	4	Gasket, cylinder head 18	12 041 10
2	Lifter, valve (2) 1,5,6,8,10,11,13,15,16,17,18,205, 206,208,217	12 351 01	5	Valve, intake (Std.) 1,5,6,8,10,11,13,15,16,17,18,205, 206,208,217	12 017 01
3	Rod, push 1,5,6,8,10,11,13,15,16,17,18,205, 206,208,217	12 411 01	5	Valve, intake (.25 O.S.) 1,5,6,8,10,11,13,15,16,17,18,205, 206,208,217	12 017 02
			6	Valve, exhaust (Std.) 1,5,6,8,10,11,13,15,16,17,18,205, 206,208,217	12 016 01
			6	Valve, exhaust (.25 O.S.) 1,5,6,8,10,11,13,15,16,17,18,205, 206,208,217	12 016 02

**Head/Valve/Breather
(Cont.)**

CV11,12.5,14,15

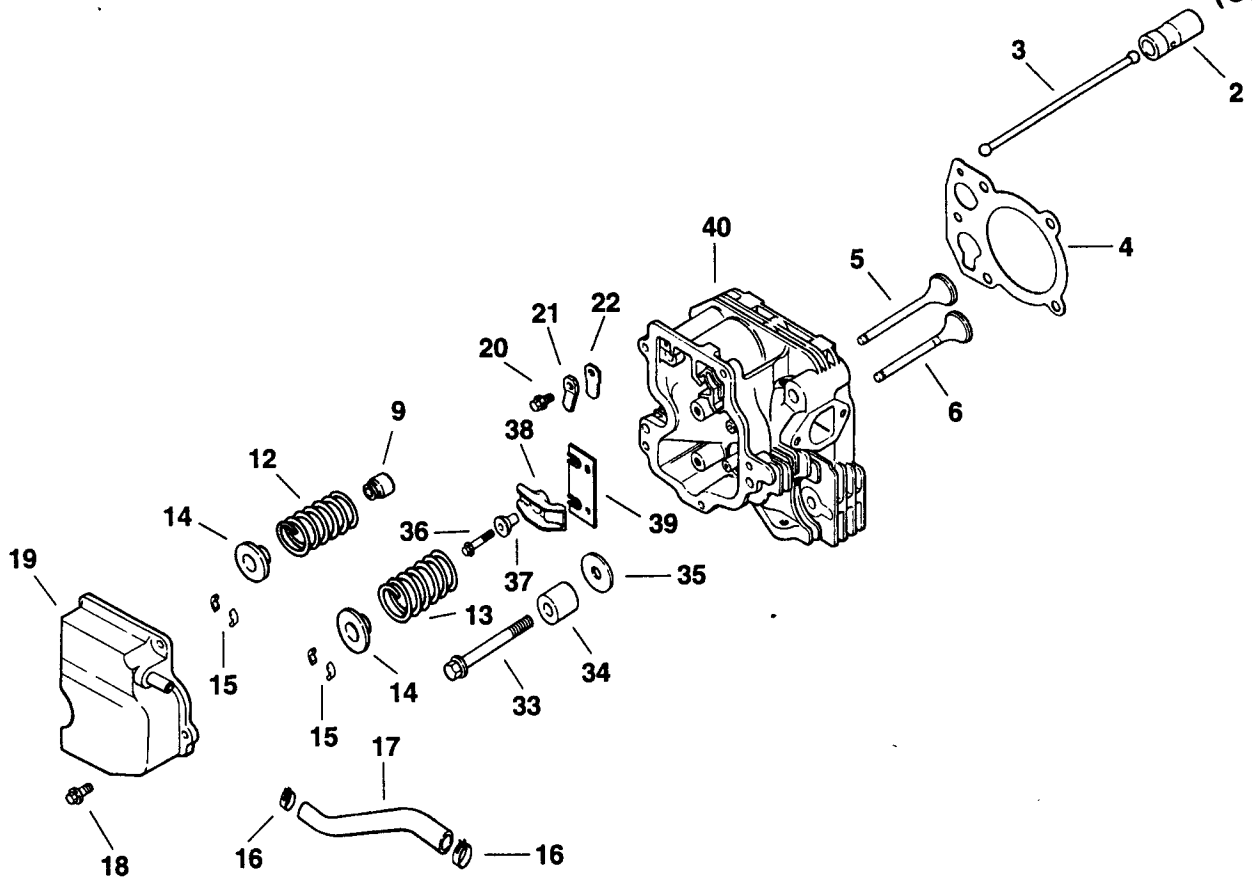
Index Number	Description Variation Number	Part Number	Index Number	Description Variation Number	Part Number
7	Spacer, head bolt exhaust port (20 mm height) (Replaced by 12 755 22) 1,5,6,8,11,13,17,205,206,208,217	12 112 04*	15	Kit, retainer (2) 1,5,6,8,10,11,13,15,16,17,18,205, 206,208,217	12 755 03
8	Screw, hex. flange M10x1.5x80 (5) 1,5,6,8,11,13,17,205,206,208,217	M-1040080*	16	Clamp, hose (2) 1,6,17,206,208,217	X-426-9
9	Seal, valve stem (Replaced by 24 032 05) 1,5,6,8,11,13,15,17,205,206,208, 217	12 032 02	16	Clamp, hose 5,8,10,11,13,15,16,18	X-426-9
10	Rotator, exhaust 1	12 413 01*	17	Hose, breather 1,5,6,8,10,11,13,15,16,17,18,205, 206,208,217	12 326 03
10	Rotator, exhaust (Use before Serial No. 1933503554) 205,206,208,217	12 413 01*	18	Screw, hex. flange M6x1.0x20 (3) 1,5,6,8,11,13,17,205,206,208,217	M-0645020
11	Spring, retainer 1	52 018 01*	18	Screw, hex. flange M6x1.0x20 (5) 10,15,16,18	M-0645020
11	Spring, retainer (2) 5,6,8,11,13,17	235011*	19	Cover, valve w/nipple 1,5,6,8,10,11,13,15,16,17,18,205, 206,208,217	12 096 07
11	Spring, retainer (Before Serial No. 1933503554 use qty. 1, after Serial No. 1933503544 use qty. 2) 205	52 018 01*	20	Screw, hex. flange M5x0.8x10 1,5,6,8,10,11,13,15,16,17,18,205, 206,208,217	M-0545010
11	Spring, retainer (Use before Serial No. 1933503554) 206,208	52 018 01*	21	Retainer, breather reed 1,5,6,8,10,11,13,15,16,17,18,205, 206,208,217	12 018 01
11	Spring, retainer (2) (Use after Serial No. 1933503554) 206,208,217	235011*	22	Reed, breather (Replaced by 24 402 03) 1,5,6,8,11,13,16,17,205,206,208, 217	12 402 01
11	Spring, retainer (Use before Serial No. 1933503554) 217	52 018 01*	22	Reed, breather 10,15,18	24 402 03
12	Spring, intake valve (Free length of 48.69 mm) 5,6,8,10,11,13,15,16,17,18	12 089 01'	23	Screw, hex. flange M6x1.0x25 (2) 1,5,6,8,11,13,17,205,206,208,217	M-0642025*
12	Spring, intake valve (Free length of 48.69 mm) 1	12 089 01'	24	Arm, rocker (2) 1,5,6,8,11,13,17,205,206,208,217	12 186 01*
12	Spring, valve (Free length of 48.69 mm) (Before Serial No. 1933503554 use qty. 2, after Serial No. 1933503544 use qty. 1) 205,206,208,217	12 089 01'	25	Bridge, rocker arm 1,5,6,8,11,13,17,205,206,208,217	12 126 05*
13	Spring, exhaust valve (Free length of 55.8 mm) 5,6,8,10,11,13,15,16,17,18	12 089 15'	26	Shaft, rocker arm 1,5,6,8,11,13,17,205,206,208,217	12 144 03*
13	Spring, exhaust valve (Free length of 55.8 mm) (Use after Serial No. 1933503544) 205,206,208,217	12 089 15'	27	Kit, high temperature switch (Includes 28, terminal 25 452 16) 5,13	12 703 01
14	Cap, valve spring (2) 1,5,6,8,10,11,13,15,16,17,18,205, 206,208,217	12 173 01	28	Screw, hex. flange M10x1.5x91 5,13	12 086 16
			29	Washer, plain 3/8" 5,13	47 468 07
			30	Grommet 13	12 313 03
			31	Tube, vacuum 13	12 123 15
			32	Connector 13	12 155 04

***NOTE:** Changes are being implemented in the cylinder head; therefore, Serial No. breaks for the intake and exhaust valves may no longer be valid. Order springs according to design used on engine (see spring free length).

CV11,12.5,14,15

Style "B"

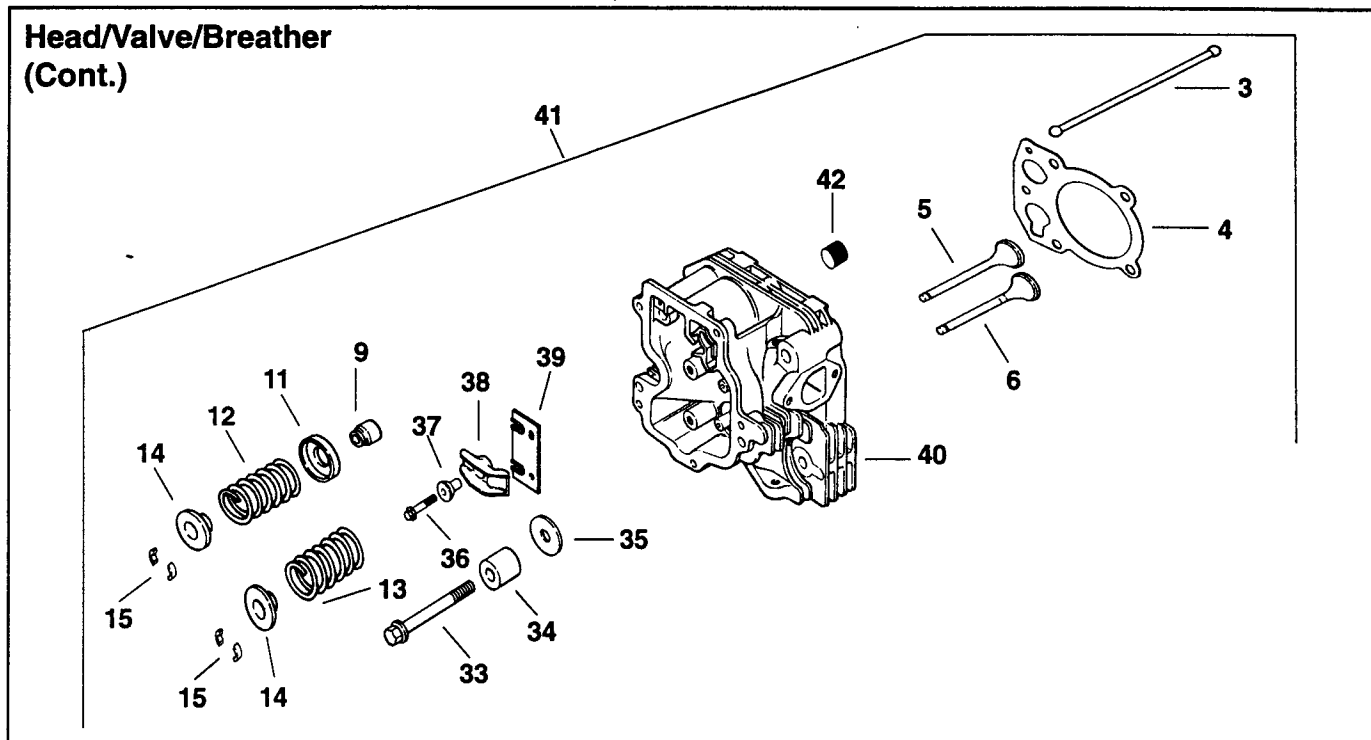
Head/Valve/Breather
(Cont.)



Index Number	Description Variation Number	Part Number	Index Number	Description Variation Number	Part Number
33	Screw, hex. flange M10x1.5x81 (5) 10,15,16,18	12 086 15	37	Pivot, rocker arm (2) 10,15,16,18	24 194 01
34	Spacer, head bolt exhaust port (17 mm height) 10,15,16,18	12 112 13	38	Arm, rocker (2) 10,15,16,18	24 186 03
35	Washer, plain 13/32" 10,15,16,18	12 468 05	39	Plate, guide 10,15,16,18	12 146 13
36	Screw, hex. flange M6x1.0x34 (2) 10,15,16,18	M-0640034	40	Head, cylinder 10,15,16,18	12 318 05

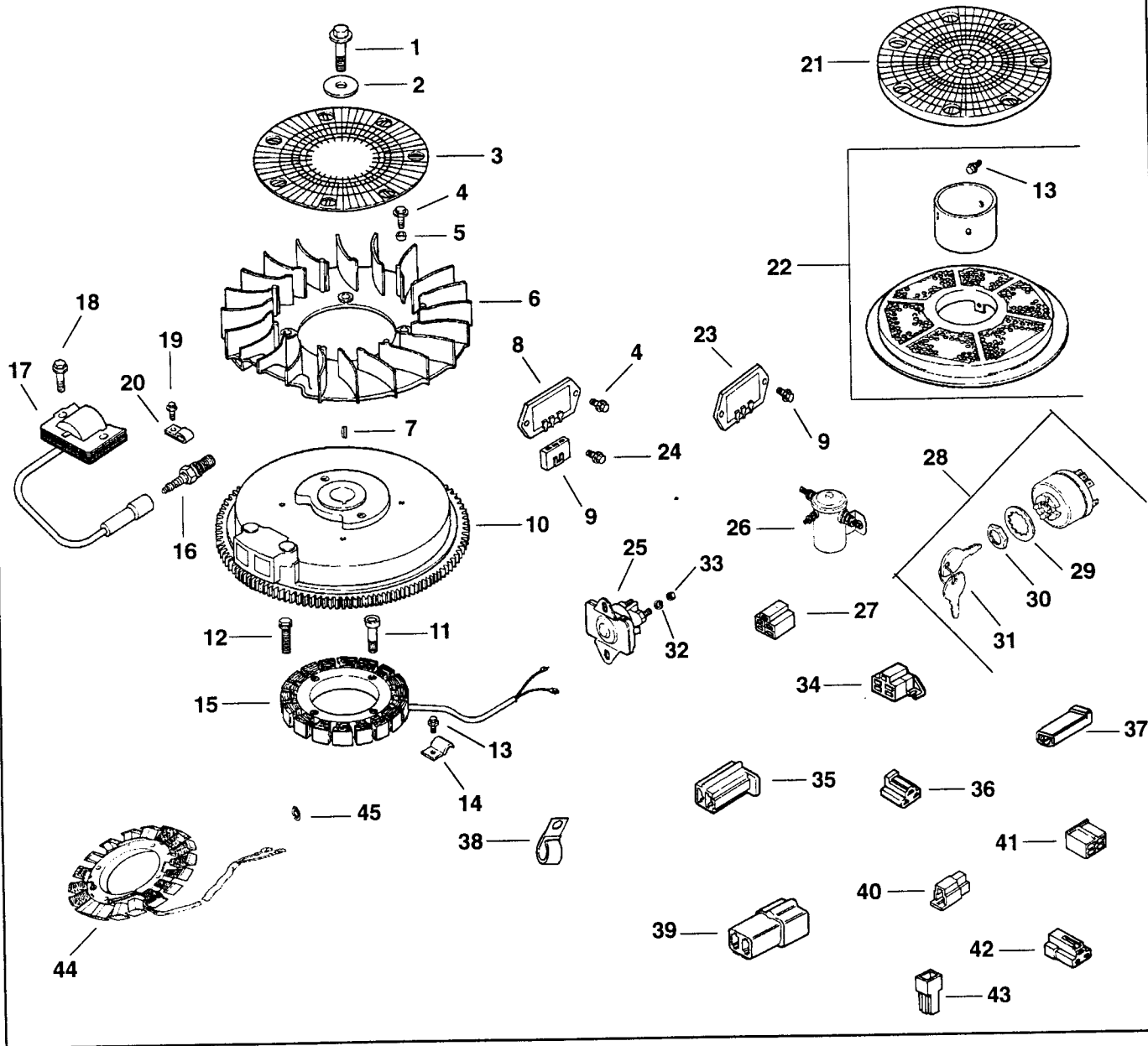
CV11,12.5,14,15

Head/Valve/Breather (Cont.)



Index Number	Description Variation Number	Part Number	Index Number	Description Variation Number	Part Number
41	Kit, cylinder head (Includes 3-6,9,11-15,33-40,42) (For part replacement after installation of kit, order corresponding Style "B" components.)	12 755 58	42	Plug, allen hd. 1/8" pipe 1,5,6,8,10,11,13,15,16,17,18,205, 206,208,217	X-75-23
41	Kit, cylinder head (Includes 3-6,9,11-15,33-40,42) 10,15,16	12 755 58	Not Illustrated		
41	Kit, cylinder head (Includes 3-6,9,11-15,33-40,42) 18	12.755 60		Kit, head gasket (Includes 4,33-35, velstud fastener 12 290 01 qty. 5) (For part replacement after installation of kit, order corresponding Style "B" components.) 1,5,6,8,11,13,17,205,206,208,217	12 755 22
				Terminal 5,13	25 452 16

Group 5
Ignition/Electrical



Index Number	Description Variation Number	Part Number	Index Number	Description Variation Number	Part Number
1	Screw, hex. flange M10x1.5x45.8 2,3,4,5,8,10,11,13,21,23,30,31,32, 33,35,37,46,50,52,53,55,56,59,60, 61,62,63,64,66,67,69,71,75,76,78, 82,83,85,87,88,89,91,95,200,202, 203,208,223,233,263	12 086 14	3	Screen, grass 3,8,10,11,30,33,37,46,55,56,60,61, 62,64,66,69,75,82,83,89,203,233	12 162 03
2	Washer, plain 3/8" 2,3,4,5,8,10,11,13,21,23,30,31,32, 33,35,37,46,50,52,53,55,56,59,60, 61,62,63,64,66,67,69,71,75,76,78, 82,83,85,87,88,89,91,95,200,202, 203,208,223,233,263	12 468 03	4	Screw, hex. flange M6x1.0x16 (4) 8,10,37,46,55,56,60,61,62,64,71, 75,82,88,89,208	M-0639016
			4	Screw, hex. flange M6x1.0x16 (6) 2,3,4,5,11,13,21,23,30,31,32,33, 35,50,52,53,59,63,66,67,69,76,78, 83,85,87,91,95,200,202,203,223, 233,263	M-0639016

**Ignition/Electrical
(Cont.)**

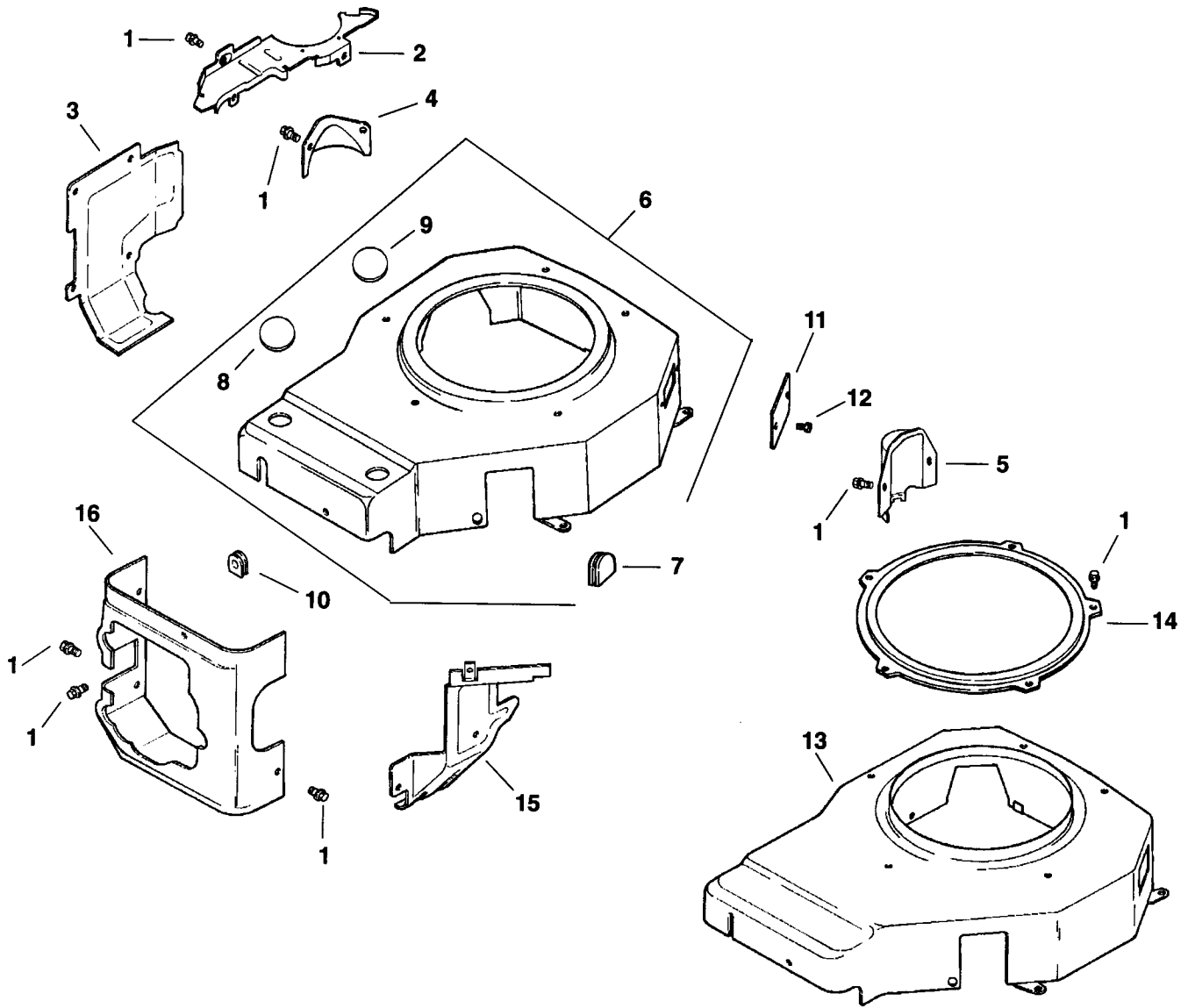
CV11,12.5,14,15

Index Number	Description Variation Number	Part Number	Index Number	Description Variation Number	Part Number
5	Spacer, fan (4) 2,3,4,5,8,10,11,13,21,23,30,31, 32,33,35,37,46,50,52,53,55,56,59, 60,61,62,63,64,66,67,69,71,75,76, 78,82,83,85,87,88,89,91,95,200, 202,203,208,223,233,263	12 112 01	13	Screw, hex. flange M5x0.8x10 8,10,46,52,56,60,61,62,64,75,82, 85,87,88,91,208	M-0545010
6	Fan, flywheel 2,3,4,5,8,10,11,13,21,23,30,31,32, 33,35,37,46,50,52,53,55,56,59,60, 61,62,63,64,66,67,69,71,75,76,78, 82,83,85,87,88,89,91,95,200,202, 203,208,223,233,263	12 157 02	13	Screw, hex. flange M5x0.8x10 (2) 2,3,5,11,13,21,23,30,31,32,33,35, 37,50,53,55,59,63,66,67,69,71,76, 78,83,85,89,95,200,202,203,223, 233,263	M-0545010
7	Key 2,3,4,5,8,10,11,13,21,23,30,31,32, 33,35,37,46,50,52,53,55,56,59,60, 61,62,63,64,66,67,69,71,75,76,78, 82,83,85,87,88,89,91,95,200,202, 203,208,223,233,263	X-42-15	13	Screw, hex. flange M5x0.8x10 (5) 4	M-0545010
8	Rectifier-regulator (15 amp) 2,3,4,5,11,13,21,31,30,32,35,37, 50,52,53,55,59,63,67,69,76,78,87, 88,89,91,200,202,203,263	41 403 09	13	Screw, hex. flange M5x0.8x16 61,78	M-0545016
9	Connector, rectifier-regulator (3 contact) 2,3,4,5,11,13,21,23,30,31,32,33, 35,37,50,52,53,55,59,63,66,67,69, 76,78,83,85,87,89,91,95,202,203, 223,233,263	236602	14	Clip 2,3,4,5,11,13,21,23,30,31,32,33, 35,37,50,52,53,55,59,63,66,67, 69,71,75,76,78,83,85,87,88,89, 91,95,200,202,203,223,233,263	12 154 02
10	Flywheel (Replaced by 12 025 16) 2,3,5,11,13,21,23,33,35,66,67,69, 78,85,200,202,203,223	12 025 08	14	Clip 46,61	12 154 01
10	Flywheel 30,37,50,53,55,59,63,76,83,87, 88,89,91,95,233,263	12 025 16	15	Stator (15 amp) (Replaced by 24 085 01) 2,3,4,5,11,13,21,23,30,31,32,33, 35,37,50,52,53,55,59,63,66,67, 69,76,78,83,85,87,88,89,91,95, 200,202,203,223,233,263	41 085 07
10	Flywheel 8,10,46,56,60,61,62,64,82,208	12 025 17	16	Spark plug 2,3,4,5,8,10,11,13,21,23,30,31,32, 33,35,37,46,50,52,53,55,56,59,60, 61,62,63,64,66,67,69,71,75,76,78, 82,83,85,87,88,89,91,95,200,202, 203,208,223,233,263	12 132 02
10	Flywheel 71,75	12 025 25	17	Module, ignition 2,3,4,5,11,13,21,23,30,31,32,33, 35,50,52,53,59,63,67,69,71,75, 76,78,85,87,88,91,95,200,202, 203,223,233,263	12 584 01
10	Flywheel (Replaced by 12 025 21) 4,31,32	12 025 10	17	Module, ignition 8,10,37,46,55,56,60,61,62,64,66, 82,83,89,208	12 584 02
10	Flywheel (Replaced by 12 025 21) 52	12 025 14	18	Screw, hex. flange M5x0.8x20 (2) 2,3,4,5,8,10,11,13,21,23,30,31,32, 33,35,37,46,50,52,53,55,56,59,60, 61,62,63,64,66,67,69,71,75,76,78, 82,83,85,87,88,89,91,95,200,202, 203,208,223,233,263	SM-0545020
11	Screw, hex. cap M5x0.8x25 (Before Serial No. 2411100014 use qty. 4, after Serial No. 2411100004 use qty. 2, or order according to design used on engine) 2,3,4,5,11,13,21,23,30,31,32,33, 35,37,50,52,53,55,59,63,66,67, 69,71,75,76,78,83,85,87,88,89, 91,95,202,203,223,233,263	M-0548025	19	Washer, lock 1/4" 76,78,87,89,91	X-22-11
12	Screw, sems hex. cap 10-32x9/16" (Before Serial No. 2411100014 use qty. 4, after Serial No. 2411100004 use qty. 2, or order according to design used on engine) 8,10,46,56,60,61,62,64,82,208	X-67-98	20	Clip, kill lead 2,3,4,5,8,10,11,13,21,23,30,31,32, 33,35,37,46,50,52,53,55,56,59,60, 61,62,63,64,66,67,69,71,75,76,78, 82,83,85,87,88,89,91,95,200,202, 203,208,223,233,263	X-728-1
			21	Screen, grass (Replaced by 24 162 03) 2,5,13,21,31,32,35,50,53,67,200, 202	12 162 01
			21	Screen, grass 63,71,76,87,88,91,95,263	24 162 03

CV11,12.5,14,15

Index Number	Description Variation Number	Part Number	Index Number	Description Variation Number	Part Number
22	Cup and Screen (Includes 13) 4,52	12 109 03		Not Illustrated	
23	Rectifier-unregulated (15 amp) 23,33,66,83,85,95,223,233	12 403 01		Lead, black, rectifier-regulator to connector (5" - 14 gauge - terminals: 2 uninsulated push on tabs) 2,3,5,11,13,21,23,30,31,32,33,35,37,50,53,55,59,63,66,67,69,76,83,85,87,89,91,95,200,202,203,223,233,263	25 518 05
24	Screw, pan hd. M6x1.0x25 (2) 37,55,89	SM-0643025		Lead, white, ground to kill (19" - 18 gauge - terminals: 1 uninsulated push on tab, 1 fully insulated push on tab) 2,3,5,8,10,11,13,21,23,31,32,35,46,50,53,55,56,61,62,63,64,66,67,70,71,75,76,82,83,85,87,89,91,95,200,202,203,208,223,263	12 518 01
25	Solenoid 202,203	25 435 01		Lead, white, ground to kill (19" - 18 gauge - terminals: 1 fully insulated push on tab, 1 uninsulated push on tab) 4,52	12 518 03
26	Solenoid 200	48 404 03		Lead, white, ground to kill - module to switch (18" - 18 gauge - terminals: 2 fully insulated push on tabs) 60	12 518 07
27	Connector (5 contact) 2,3,5,30,33,35,59,69,87,200,202,203,233,263	48 155 01		Lead, green, ground (6" - 18 gauge - terminals: 2 insulated grip barrel eyelets) 76,87,89,91	15 518 09
28	Switch, key (Includes 29-31) 200,202,203,208	25 099 04		Lead, black, B+ (15" - 14 gauge - terminals: 2 uninsulated push on tabs) 4,52	12 518 02
29	Washer, I.T. 200,202,203,208	48 468 02		Lead, green (8" - 14 gauge - terminals: 1 uninsulated push on tab, 1 insulated grip barrel eyelet) 33,46,61,69,233	25 518 24
30	Nut, hex. 9/16 200,202,206,208	48 100 01		Harness, wiring 33,69,233	12 176 03
31	Key (Set of 2) 200,202,203,208	48 340 01		Harness, wiring 30	12 176 02
32	Washer, lock 1/4" (2) 203	X-20-1		Harness, wiring 37,59	12 176 04
33	Nut, hex. 1/4-20 (2) 203	X-81-1		Harness, wiring 78	12 176 16
34	Connector 202	25 155 06		Cord, extension 85,95,223,233	12 127 01
35	Connector - male 11,23,31,32,66,67,82,85,95,223	41 155 03		Kit, diode 71	51 755 01
36	Connector 13,21,37,50,53,55,63,71,83,89	236473			
37	Connector 10,56,62	277563			
38	Clip (Attach to lifting strap screw.) 5,21	47 154 01			
39	Connector - female 11,85	52 155 04			
39	Connector - female (2) 23,95,223,233	52 155 04			
40	Connector 4	48 155 03			
41	Connector 75,76	41 155 02			
42	Connector 50,263	237088			
43	Connector 46,61,91	48 155 02			
44	Stator (3 amp) 71,75	12 085 03			
45	Washer, plain 1/4" (Attach ground lead and washer to lifting strap screw.) 76,87,89,91	X-25-5			

**Group 6
Blower Housing & Baffles**



Index Number	Description Variation Number	Part Number	Index Number	Description Variation Number	Part Number
1	Screw, hex. flange M5x0.8x10 (10) 25,28,225,228,230,233	M-0545010	1	Screw, hex. flange M5x0.8x10 (19) 3,15,19,203,215,219	M-0545010
1	Screw, hex. flange M5x0.8x10 (11) 39,231	M-0545010	1	Screw, hex. flange M5x0.8x16 39,231	M-0545016
1	Screw, hex. flange M5x0.8x10 (13) 34,36,41,42,44,234,236,237,243	M-0545010	2	Plate, blower housing back 1,2,3,6,15,17,19,20,22,24,25,28, 34,35,36,39,41,42,44,45,46,200, 201,202,203,204,205,206,207,208, 209,210,211,212,213,214,215,216, 217,218,219,220,221,222,223,224, 225,227,228,229,230,231,232,233, 234,235,236,237,238,239,240,241, 242,243,245,246,247,248,255	12 146 07
1	Screw, hex. flange M5x0.8x10 (14) 1,2,6,17,19,20,22,24,35,45,46, 200,201,202,204,205,206,207,208, 209,210,211,212,213,214,216,217, 218,220,221,222,223,224,227,229, 232,235,238,239,240,241,242,245, 246,247,248,255	M-0545010			

CV11,12.5,14,15

Blower Housing & Baffles (Cont.)

Index Number	Description Variation Number	Part Number	Index Number	Description Variation Number	Part Number
3	Baffle, cylinder barrel 1,2,3,6,15,17,19,20,22,24,34,35, 36,39,41,42,44,45,46,200,201,202, 203,204,205,206,207,208,209,210, 211,212,213,214,215,216,217,218, 219,220,221,222,223,224,227,229, 231,232,234,235,236,237,238,239, 240,241,242,243,245,246,247,248, 255	12 063 01	10	Grommet, blower housing 1,2,3,6,15,17,19,20,22,24,25,28,34, 35,36,39,41,42,44,45,46,200,201, 202,203,204,205,206,207,208,209, 210,211,212,213,214,215,216,217, 218,219,220,221,222,223,224,225, 227,228,229,230,231,232,233,234, 235,236,237,238,239,240,241,242, 243,245,246,247,248,255	12 313 03
4	Cover, starter 1,20,22,35,201,208,212,213,218, 220,221,222,227,229,235,241	12 096 05	11	Cover, rectifier-regulator 1,20,35,201,212,213,218,220,221, 229,235,241	41 096 23
4	Cover, starter 2,3,6,15,17,200,202,203,204,206, 209,211,214,215,216,217,238,239, 240,242	12 096 01	12	Screw, hex. flange M6x1.0x16 (2) 1,20,35,201,212,213,218,220,221, 229,235,241	M-0639016
5	Cover, starter (Replaced by 12 096 22) 19,24,219	12 096 14	13	Housing, blower 15,215	12 027 08
5	Cover, starter 17,45,205,207,210,223,224,232, 245,246,247,248,255	12 096 22	13	Housing, blower 17	12 027 09
5	Cover, starter 46	12 096 22	13	Housing, blower 19,20,219	12 027 10
6	Kit, blower housing (Includes 7-9) 1,2,6,24,35,45,46,200,201,202, 204,205,206,207,209,210,211,212, 214,216,217,224,235,238,239,240, 241,242,245,246,247,248,255	12 027 03	13	Housing, blower 22,218,227,229	12 027 11
6	Kit, blower housing (Includes 7-9) (Use before Serial No. 2201500014) 213,220	12 027 03	13	Housing, blower (Use after Serial No. 2211300004) 208,222	12 027 11
6	Kit, blower housing (Includes 7-9) (Use before Serial No. 2211300014) 208,222	12 027 03	13	Housing, blower (Use after Serial No. 2201500004) 213,220	12 027 11
6	Kit, blower housing (Includes 7-9) (Use before Serial No. 2133200014) 221	12 027 03	13	Housing, blower (Use after Serial No. 2132200014) 221	12 027 11
7	Grommet, blower housing (2) 1,2,6,24,35,45,46,200,201,202,204, 205,206,207,208,209,210,211,212, 213,214,216,217,220,221,222,224, 235,238,239,240,241,242,245,246, 247,248,255	12 313 05	13	Housing, blower (Replaced by 12 027 25) 25	12 027 14
8	Plug, button 9/16" 1,2,6,24,35,45,46,200,201,202,204, 205,206,207,208,209,210,211,212, 213,214,216,217,220,221,222,224, 235,238,239,240,241,242,245,246, 247,248,255	25 139 16	13	Housing, blower (Replaced by 12 027 26) 28,225,228	12 027 17
9	Plug, button 1/2" 1,2,6,24,35,45,46,200,201,202,204, 205,206,207,208,209,210,211,212, 213,214,216,217,220,221,222,224, 235,238,239,240,241,242,245,246, 247,248,255	25 139 17	13	Housing, blower 34,42,230,234,236,237	12 027 27
			13	Housing, blower 36	12 027 21
			13	Housing, blower 39,231	12 027 30
			13	Housing, blower 41	12 027 26
			13	Housing, blower 44,233	12 027 24
			13	Housing, blower 223,232	12 027 16
			13	Housing, blower 243	12 027 25
			14	Guard 3,5,15,19,203,215,219	12 314 01
			15	Baffle, intake side 223,232	12 063 11

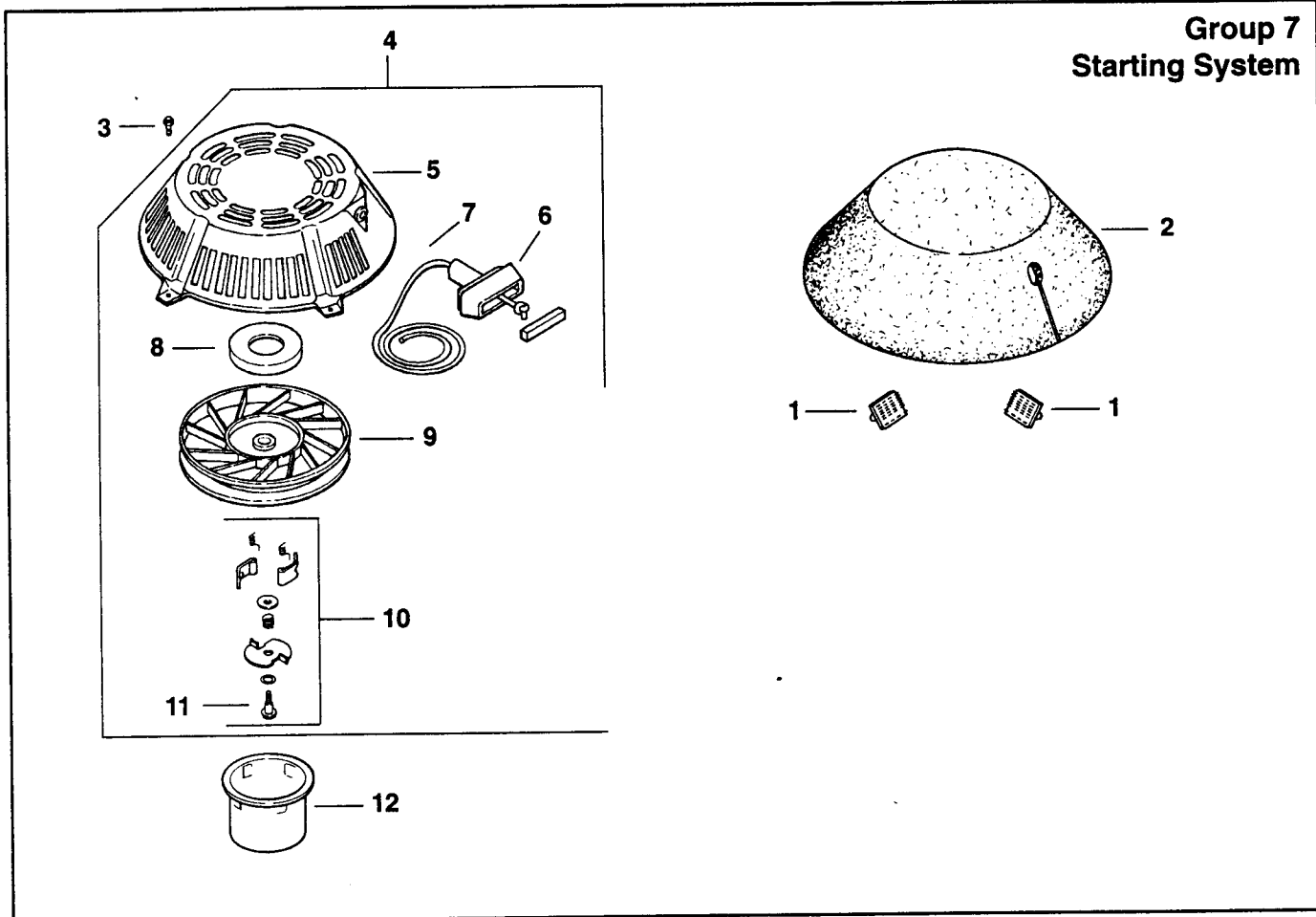
**Blower Housing & Baffles
(Cont.)**

CV11,12.5,14,15

Index Number	Description Variation Number	Part Number	Index Number	Description Variation Number	Part Number
15	Baffle, intake side 1,2,3,6,35,45,200,201,202,203, 204,205,206,207,208,209,210,211, 212,213,214,220,221,222,232,235, 240,241,242,245,246,247,248,255 Before Serial No. 2009200014 use:	12 063 02	16	Baffle, cylinder head 1,2,6,17,20,22,24,35,45,200,201, 202,204,205,206,207,208,209,210, 211,212,213,214,216,217,218,220, 221,222,223,224,227,229,232,235, 238,239,240,241,242,245,246,247, 248,255	12 063 03
15	Baffle, intake side 15,17,19,20,22,24,34,36,39,41, 42,44,46,215,216,217,218,219, 224,227,229,231,234,236,237,238, 239,243	12 063 05	16	Baffle, cylinder head (Replaced by 12 063 13) 3,15,19,203,215,219	12 063 04
			16	Baffle, cylinder head 39,231	12 063 13
			16	Baffle, cylinder head 25,28,34,36,41,42,44,228,230,233, 234,236,237,243	12 063 08

NOTE: For decals, see Accessories Catalog E-1953-A.

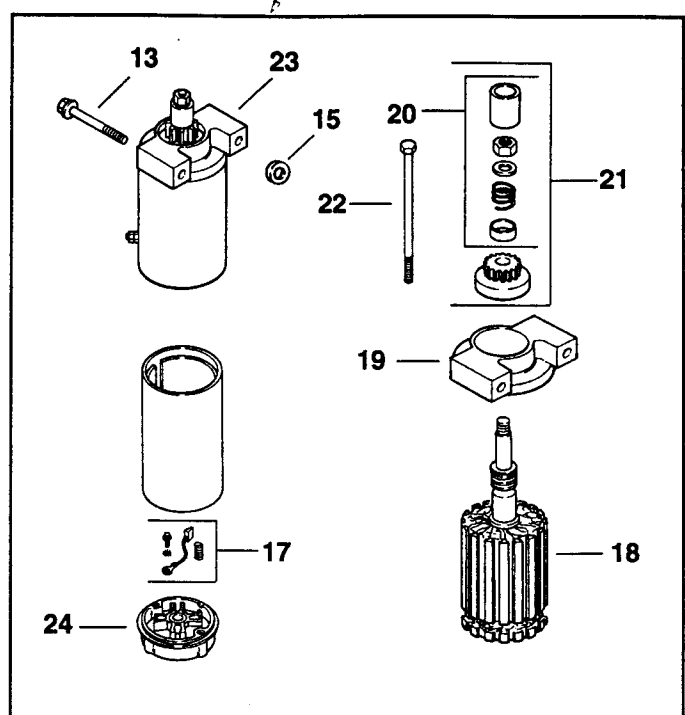
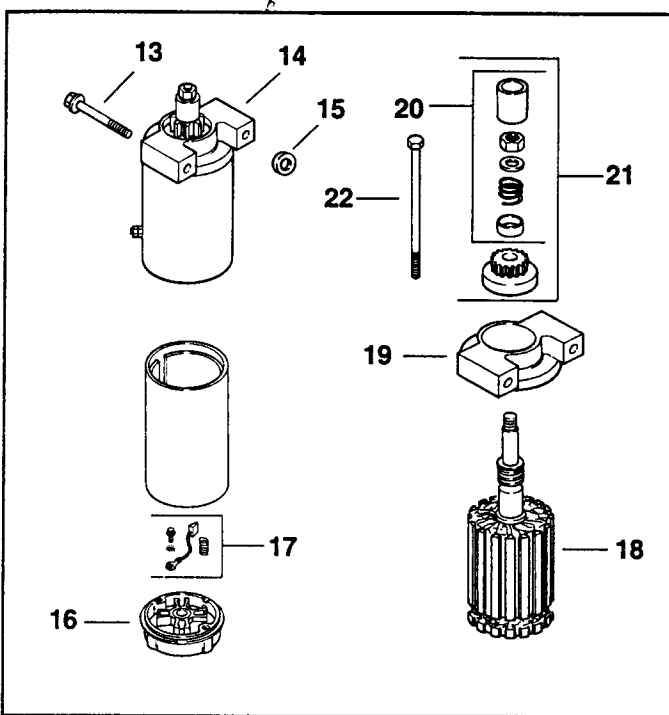
**Group 7
Starting System**



Index Number	Description Variation Number	Part Number	Index Number	Description Variation Number	Part Number
1	Fasteners, velstud (10) 6,23,232	12 290 01	7	Rope, starter 1,3,6,14,22,23,26,229,232	12 160 01
2	Filter, starter 6,23,232	12 050 02	8	Spring & Keeper 1,3,6,14,22,23,26,229,232	12 089 06
3	Screw, hex. flange M5x0.8x10 (5) 1,3,6,14,22,23,26,229,232	M-0545010	9	Pulley 1,3,6,14,22,23,26,229,232	12 093 01
4	Starter, retractable assembly (Includes 5-11) 1,3,6,14,22,23,26,229,232	12 165 01	10	Kit, dog repair (Includes 11) 1,3,6,14,22,23,26,229,232	12 757 06
5	Housing, starter 1,3,6,14,22,23,26,229,232	12 081 01	11	Screw, pozidriv 1,3,6,14,22,23,26,229,232	41 086 09
6	Handle, recoil start 1,3,6,14,22,23,26,229,232	234452	12	Cup, drive 1,3,6,14,22,23,26,229,232	15 109 01

**Starting System
(Cont.)**

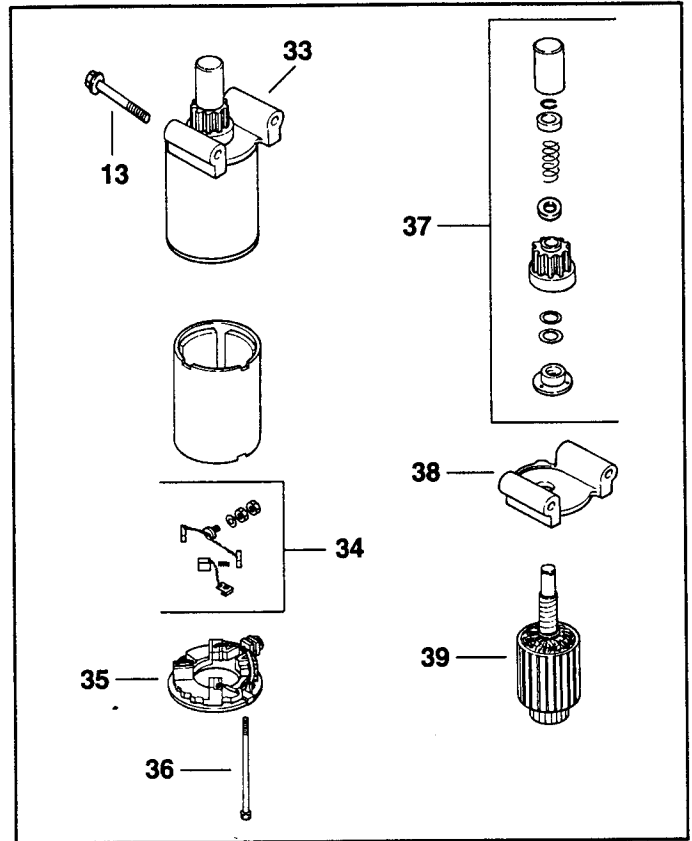
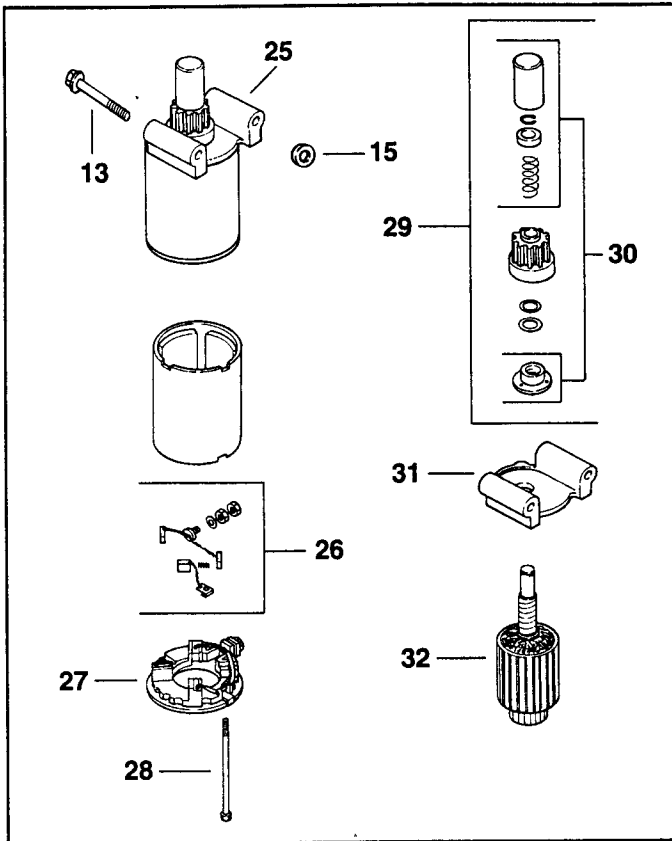
CV11,12.5,14,15



Index Number	Description Variation Number	Part Number
13	Screw, hex. flange M8x1.25x70 (2) 2,3,6,10,21,22,23,26,28,31,210, 228,229,232	M-0839070
14	Kit, bendix starter (Includes 15-22) (Replaced by 12 098 13) 2,3,23	12 098 05
14	Kit, bendix starter (Includes 15-22) (Use before Serial No. 2408000014) (Replaced by 12 098 13) 228,229,232	12 098 05
14	Kit, bendix starter (Includes 15-22) (Use before Serial No. 1928300014) (Replaced by 12 098 13) 210	12 098 05
15	Washer, plain 11/32" (2) 2,3,6,10,22,23,26,31,210	12 468 01
15	Washer, plain 11/32" (2) (Use before Serial No. 2408000014) 228,229,232	12 468 01
16	Cap, commutator end	12 243 01
17	Kit, brush & spring (Replaced by 82 755 28)	52 755 15
18	Armature	12 170 02
19	Cap, drive end	12 227 01
20	Kit, drive parts	12 755 06
21	Kit, drive (Includes 20)	12 755 12
22	Screw, hex. flange 1/4-20x4-1/4" (2)	12 086 02

Index Number	Description Variation Number	Part Number
23	Starter, bendix assembly (Includes 17-22,24) 10,22,26	12 098 06
23	Starter, bendix assembly (Includes 17-22,24) (Use after Serial No. 1928300004) 210	12 098 06
24	Cap, commutator end	12 243 03

CV11,12.5,14,15



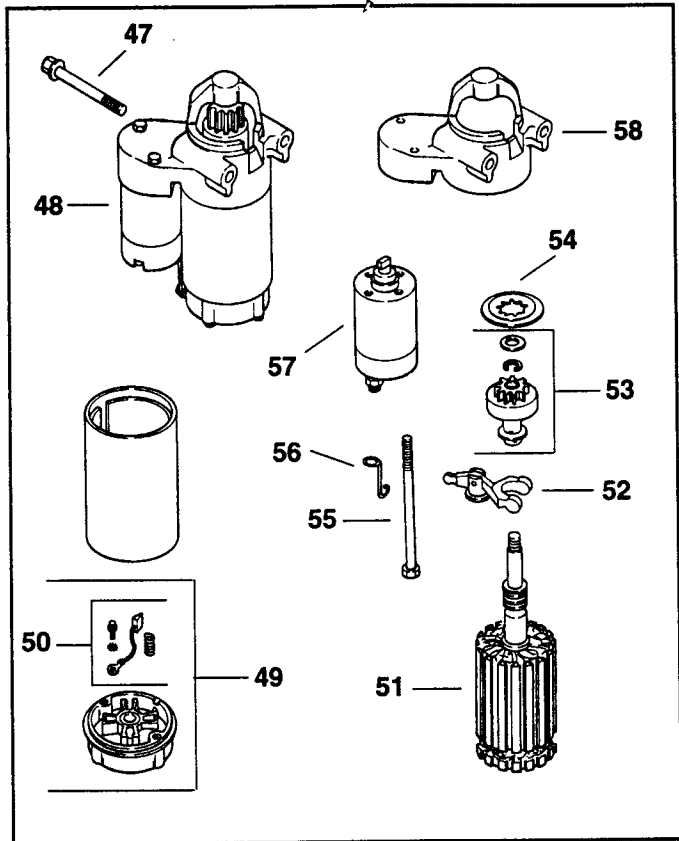
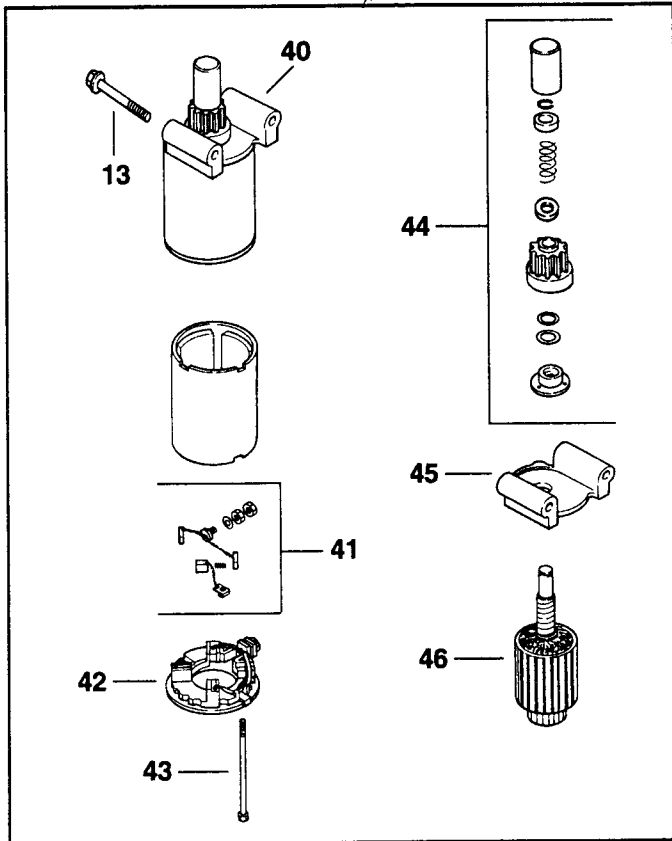
Index Number	Description Variation Number	Part Number
25	Starter, bendix assembly (Includes 26-32) (Use before Serial No. 2402400014) (Replaced by 25 098 03) 21	12 098 10*
26	Kit, brush & spring (Replaced by 82 755 28)	52 755 15
27	Cap, commutator end	12 243 04
28	Screw, hex. flange - type "B" 10-16x4-3/16" (2)	12 086 20
29	Kit, drive	12 755 39
30	Kit, drive parts	12 755 38
31	Cap, drive end	12 227 03
32	Armature	12 170 04

Index Number	Description Variation Number	Part Number
33	Starter, bendix assembly (Includes 34-39) (Use after Serial No. 2408000004) 28,228,229,232	12 098 13*
34	Kit, brush & spring	82 755 28
35	Cap, commutator end	12 227 11
36	Screw, hex. flange 1/4-20x4-5/8" (2)	12 086 25
37	Kit, drive	12 755 53
38	Cap, drive end	12 227 05
39	Armature	45 170 03

*NOTE: New starter must have new starter cover. For engines equipped with removable starter cover, order Part No. 12 096 22.

Starting System
(Cont.)

CV11,12.5,14,15

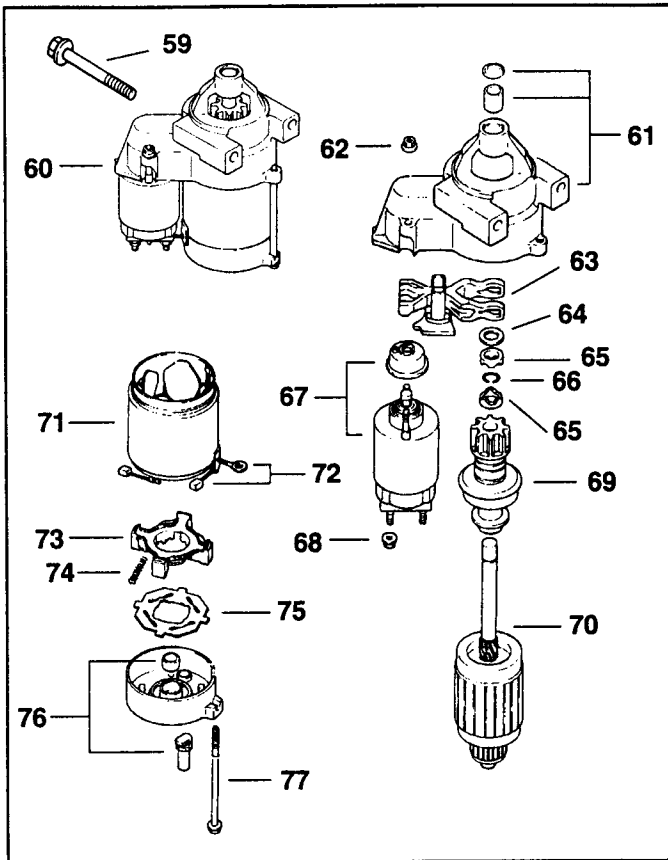


Index Number	Description Variation Number	Part Number
40	Starter, bendix assembly (Includes 41-46) (Use after Serial No. 2402400004) 21	25 098 03*
41	Kit, brush and spring	82 755 28
42	Cap, commutator end	12 227 11
43	Screw, hex. flange 1/4-20x4-5/8"	12 086 25
44	Kit, drive	12 755 54
45	Cap, drive end	12 227 06
46	Armature	45 170 03

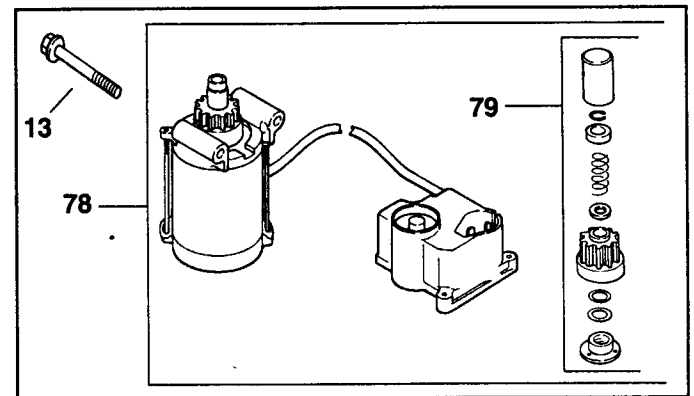
Index Number	Description Variation Number	Part Number
47	Screw, hex. flange M8x1.25x75.6 (2) (Use before Serial No. 1913612604) 209	SM-0839075
48	Starter, solenoid shift assembly (United Technology) (Includes 49-58) (Use before Serial No. 1913612604) 209	12 098 01
49	Cap, commutator end	12 243 02
50	Kit, brush (Replaced by 82 755 28)	52 755 15
51	Armature	12 170 01
52	Lever	12 090 07
53	Kit, drive	12 755 05
54	Seal, drive	12 032 07
55	Screw, hex. flange 1/4-20x4-7/8"	12 086 03
56	Clip, wire	12 154 03
57	Solenoid	12 435 03
58	Cap, drive end	12 227 02

*NOTE: New starter must have new starter cover. For engines equipped with removable starter cover, order Part No. 12 096 22.

CV11,12.5,14,15



Index Number	Description Variation Number	Part Number
66	Ring, retainer	52 141 03
67	Solenoid	52 435 02
68	Nut, starter	52 100 09
69	Drive pinion	12 239 01
70	Armature, starter assembly	12 170 03
71	Frame	12 471 01
72	Kit, brush (Includes 74)	52 221 01
73	Holder, brush	52 323 03
74	Spring, brush (4)	52 089 09
75	Insulator	52 168 01
76	Cap, commutator end	12 301 01
77	Bolt, thru M5x0.8x99 (2)	52 211 05



Index Number	Description Variation Number	Part Number
59	Screw, hex. flange M8x1.25x80.6 (2) 9	M-0839080
59	Screw, hex. flange M8x1.25x80.6 (2) (Use after Serial No. 1913612594) 209	M-0839080
60	Starter, solenoid shift assembly (Nippondenso) (Includes 61-77) 9	12 098 03
60	Starter, solenoid shift assembly (Nippondenso) (Includes 61-77) (Use after Serial No. 1913612594) 209	12 098 03
61	Cap, drive end	12 081 02
62	Nut, starter (2)	52 100 10
63	Lever, starter drive	12 090 10
64	Washer, thrust	52 468 14
65	Nut, stop collar (2)	52 100 08

Index Number	Description Variation Number	Part Number
78	Starter, 110 volt (Includes 79) 6,31	12 098 07
79	Kit, drive 6,31	12 755 55

Not Illustrated
Lubricant, starter
2,3,6,10,22,23,26,31,210,228,
229,232 52 357 01

NOTE: For decals, see Accessories Catalog E-1953-A.

**Group 8
Fuel System**

CV11,12.5,14,15

The charts below list carburetor kits, supersessions and/or serial breaks. Locate your variation number in the charts to find the appropriate carburetor kit. To ensure that the correct carburetor kit or individual carburetor components are ordered, locate your part number stamped on the carburetor mounting flange and follow the corresponding assembly breakdown.

Standard Carburetors

Variations	Carburetor Kit (Carburetor Assembly used in Kit*)
1,6,8,9,13,212,236	12 853 01 (12 053 01*)
10,211	12 853 01 (12 053 01*) Use before Serial No. 2000500014 12 853 11 (12 053 10*) Use after Serial No. 2000500004
11,50	12 853 11 (12 053 10*)
16,18,36,70,260,271	12 853 01 (12 053 01*) Use before Serial No. 2204100014 12 853 20 (12 053 26*) Use after Serial No. 2204100014
17	12 853 01 (12 053 01*) Use before Serial No. 2013800014 12 853 11 (12 053 10*) Use after Serial No. 2013800004
21	12 853 10 (12 053 13*) Use before Serial No. 2133000014, and after Serial No. 200300004 12 853 01 (12 053 01*) Use after Serial No. 2133000004, but before Serial No. 2200300014
22	12 853 14 (12 053 16*)
33,34	12 853 09 (12 053 12*) - or use - 12 853 23 (12 053 29*)
37	12 853 01 (12 053 01*) Use before Serial No. 2009400014 12 853 08 (12 053 09*) Use after Serial No. 2009400004, but before Serial No. 2024300014 12 853 16 (12 053 21*) Use after Serial No. 2024300004
40,201	12 853 01 (12 053 01) Use before Serial No. 2211200014 12 853 20 (12 053 26*) Use after Serial No. 2211200004
42,91,102,202	12 853 17 (12 053 22*)
53	12 853 11 (12 053 10*) Use before Serial No. 2204100014 12 853 22 (12 053 28* or 12 053 40*) Use before Serial No. 2204100004
57,90	12 853 21 (12 053 27*)
60,63,66,71,73,92,98	12 853 20 (12 053 26*)
61,62	12 853 01 (12 053 01*) Use before Serial No. 2203100014 12 853 20 (12 053 26*) Use after Serial No. 2203100004
65,72	12 853 22 (12 053 28*)
68,269	12 853 01 (12 053 01) Use before Serial No. 2000500014 12 853 11 (12 053 10) Use after Serial No. 2000500004, but before Serial No. 2204100014 12 853 22 (12 053 28*) Use after Serial No. 2204100004
74	12 853 11 (12 053 10*) Use before Serial No. 2211300014 12 853 22 (12 053 28* or 12 053 40*) Use after Serial No. 2211300004
96	12 853 35 (12 053 39*)
101	12 853 36 (12 053 40*)
200	12 853 01 (12 053 01*) Use before Serial No. 2001100014 12 853 11 (12 053 10*) Use after Serial No. 2001100004
206	12 853 01 (12 053 01*) Use before Serial No. 2318700014 12 853 20 (12 053 26*) Use before Serial No. 2318700004

*NOTE: Carburetor assembly is for information only, not available separately.

Standard Carburetors (Cont.)

Variations	Carburetor Kit (Carburetor Assembly used in Kit*)
217	12 853 01 (12 053 01*) Use before Serial No. 2001900014 12 853 11 (12 053 10*) Use after Serial No. 2001900004
242	12 853 01 (12 053 01*) Use before Serial No. 2027400014 12 853 17 (12 053 22*) Use after Serial No. 2027400004
263	12 853 01 (12 053 01*) Use before Serial No. 2127600014 12 853 20 (12 053 26*) Use after Serial No. 2127600004
264	12 853 11 (12 053 10*) Use before Serial No. 2127600014 and after Serial No. 21 31500014, but before Serial No. 2203100014 12 853 22 (12 053 28*) Use after Serial No. 2127600004, but before Serial No. 2131500014 and after Serial No. 2203100004
265	12 853 01 (12 053 01*) Use before Serial No. 2001900014 12 853 11 (12 053 10*) Use after Serial No. 2001900004, but before Serial No. 2203100014 12 853 22 (12 053 28*) Use after Serial No. 2203100004
266	12 853 01 (12 053 01*) Use before Serial No. 2135000014 12 853 20 (12 053 26*) Use after Serial No. 2135000004
275	12 853 01 (12 053 01*) Use before Serial No. 2211300014 12 853 20 (12 053 26*) Use after Serial No. 2211300004, but before Serial No. 2411900014 12 853 35 (12 053 39*) Use after Serial No. 2411900004

Standard Carburetors w/Fuel Solenoid

Variations	Carburetor Kit (Carburetor Assembly used in Kit*)
4	12 853 04 (12 053 04*) – or use – 12 853 18 (12 053 25*)
5	12 853 06 (12 053 06*) – or use – 12 853 19 (12 053 23*)
14,41,45,59	12 853 08 (12 053 09*)
54	12 853 19 (12 053 23*)
55,82	12 853 18 (12 053 25*)
80	12 853 26 (12 053 32*)

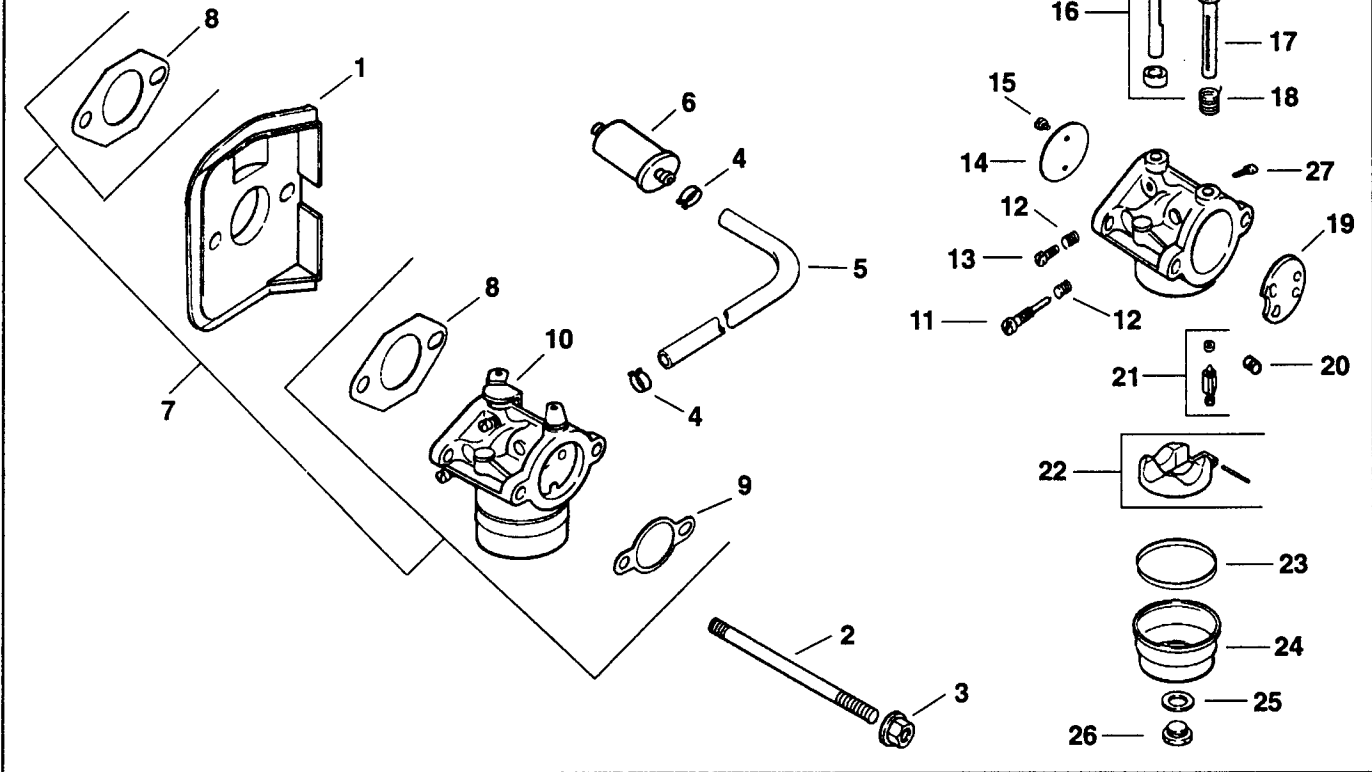
LP Gas Carburetors

Variations	Carburetor Kit (Carburetor Assembly used in Kit*)
7,21,281	12 853 07 (12 053 08* or 12 053 20*) – or use – 12 853 25 (12 053 31*)
81	12 853 25 (12 053 31*)
83	12 853 34 (12 053 38*)

*NOTE: Carburetor assembly is for information only, not available separately.

CV11,12.5,14,15

Fuel System (Cont.)



Index Number	Description Variation Number	Part Number	Index Number	Description Variation Number	Part Number
1	Deflector, heat 1,4,5,6,7,8,9,10,11,13,14,16,17,18, 21,22,33,34,36,37,40,41,42,45,50, 53,54,55,57,59,60,61,62,63,65,66, 68,70,71,72,73,74,80,81,82,83,90, 91,92,96,98,101,102,200,201,202, 206,211,212,217,236,242,260,263, 264,265,266,269,271,275,281	12 265 01	4	Clamp, hose (2) 1,4,5,8,10,13,17,18,22,33,36,37, 42,45,53,54,55,57,61,62,63,66, 68,70,71,72,73,80,82,90,91,92, 96,98,101,102,201,202,212,217, 236,242,263,264,266,271	X-426-9
2	Stud, carburetor M6x1.0x122.8 (2) 1,4,5,6,7,8,9,10,11,13,14,16,17,18, 21,22,33,34,36,37,40,41,42,45,50, 53,54,55,57,59,60,61,62,63,65,66, 68,70,71,72,73,74,80,81,82,83,90, 91,92,96,98,101,102,200,201,202, 206,211,212,217,236,242,260,263, 264,265,266,269,271,275,281	M-0629122	4	Clamp, hose (6) 6,9,11,14,34,41,50,59,60,206, 260,269	X-426-9
3	Nut, hex. flange M6x1.0 (2) 1,4,5,6,7,8,9,10,11,13,14,16,17,18, 21,22,33,34,36,37,40,41,42,45,50, 53,54,55,57,59,60,61,62,63,65,66, 68,70,71,72,73,74,80,81,82,83,90, 91,92,96,98,101,102,200,201,202, 206,211,212,217,236,242,260,263, 264,265,266,269,271,275,281	SM-0641060	4	Clamp, hose (Before Serial No. 2133000014 and after Serial No. 2200300004 use qty. 2, after Serial No. 2133000004, but before Serial No. 2200300014 use qty. 6)	X-426-9
			4	Clamp, hose (4) 40,200,211,266	X-426-9
			4	Clamp, hose 65,265	X-426-9
			5	Line, fuel 3" 1,6,9,10,11,13,14,17,33,34,60,62, 68,70,71,72,73,92,200,201,211, 217,266,269,271	25 353 02
			5	Line, fuel 9" 4,41,54,55,80,82,90,91,98	25 353 10
			5	Line, fuel 15-1/2" 8,18,22,53,61,63,101,263	41 353 14

CV11,12.5,14,15

Fuel System (Cont.)

Index Number	Description Variation Number	Part Number	Index Number	Description Variation Number	Part Number
5	Line, fuel 3" (Use after Serial No. 2133000004, but before Serial No. 2200300014)	21	9	Gasket, air filter 1,4,5,6,7,8,9,10,11,13,14,16,17,18, 21,22,33,34,36,37,40,41,42,45,50, 53,54,55,57,59,60,61,62,63,65,66, 68,70,71,72,73,74,80,81,82,83,90, 91,92,96,98,101,102,200,201,202, 206,211,212,217,236,242,260,263, 264,265,266,269,271,275,281	12 041 02
5	Line, fuel 15-1/2" (Use before Serial No. 2133000014 and after Serial No. 2200300004)	21	10	Carburetor assembly (Includes 11-26, carburetor repair kit 12 757 01, high altitude kit 12 755 09)	12 053 01*
5	Line, fuel 13-1/2" 36,66,264,266	25 353 03	11	Needle, idle fuel adjusting	12 368 01
5	Line, fuel 10" 37,45,102,212	52 353 20	12	Spring, idle fuel & idle speed adjusting (2)	12 089 09
5	Line, fuel 8" 42,57,96,242	52 353 18	13	Screw, idle speed adjusting	12 086 04
5	Line, fuel 5" 50	25 353 08	14	Plate, throttle	12 146 03
5	Line, fuel 12" 59	52 353 22	15	Screw, valve (2)	25 086 27
5	Line, fuel 202 Before Serial No. 2331600014 use: After Serial No. 2331600004 use:	25 353 02 52 353 20	16	Shaft, throttle w/lever & seal	12 144 09
6	Filter, fuel 1,4,5,6,8,9,10,11,13,14,17,21,22, 33,34,42,50,54,55,57,59,60,68,70, 71,72,73,80,82,90,91,96,98,101, 102,200,201,202,206,211,217,242, 260,266,269,271	25 050 02	17	Shaft, choke	12 144 08
6	Filter, fuel 18,36,37,41,45,53,61,62,63,66,92, 212,236,263,264,266	25 050 03	18	Spring, choke return	12 089 10
7	Kit, carburetor (Includes 8-10, Carburetor assembly 12 053 01*)	12 853 01	19	Plate, choke	12 146 02
7	Kit, carburetor (Includes 8-10, Carburetor assembly 12 053 12*)	12 853 09	20	Jet, main	12 337 09
7	Kit, carburetor (Includes 8-10, Carburetor assembly 12 053 13*)	12 853 10	21	Needle and Seat (Available only in Carburetor Repair Kit)	
7	Kit, carburetor (Includes 8-10, Carburetor assembly 12 053 10*)	12 853 11	22	Kit, float	12 757 02
7	Kit, carburetor (Includes 8-10, Carburetor assembly 12 053 16*)	12 853 14	23	Gasket, bowl	12 041 05
7	Kit, carburetor (Includes 8-10, Carburetor assembly 12 053 22*)	12 853 17	24	Bowl, fuel	12 104 01
7	Kit, carburetor (Includes 8-10, Carburetor assembly 12 053 27*)	12 853 21	25	Gasket, bowl retainer screw	12 041 06
8	Gasket, carburetor (2) 1,4,5,6,7,8,9,10,11,13,14,16,17, 18,21,22,33,34,36,37,40,41,42,45, 50,53,54,55,57,59,60,61,62,63,65, 66,68,70,71,72,73,74,80,81,82,83, 90,91,92,96,98,101,102,200,201, 202,206,211,212,217,236,242,260, 263,264,265,266,269,271,275,281	12 041 01	26	Screw, bowl retainer	12 086 05

*NOTE: Carburetor assembly is for information only, not available separately.

**Fuel System
(Cont.)**

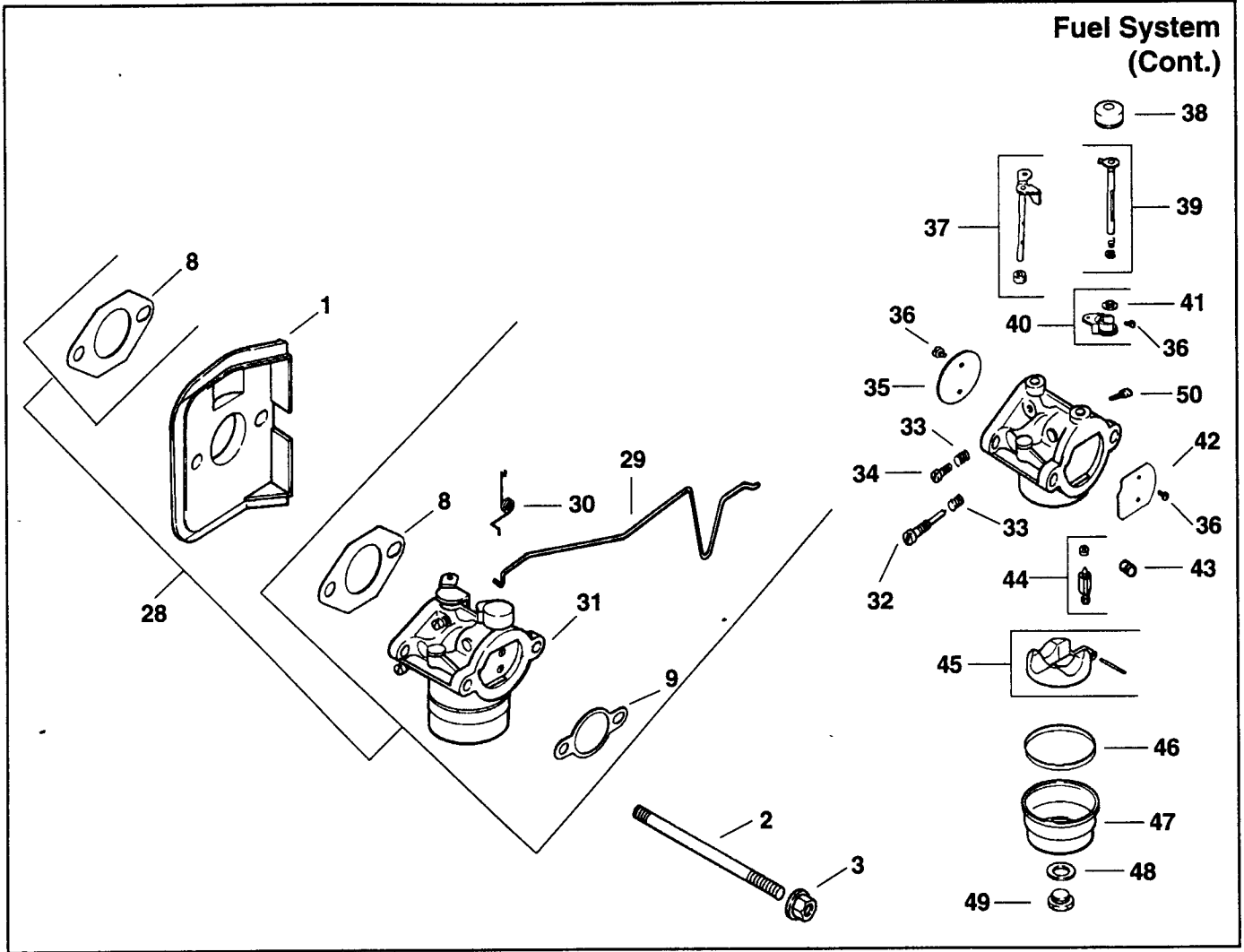
CV11,12.5,14,15

Index Number	Description Variation Number	Part Number	Index Number	Description Variation Number	Part Number
10	Carburetor assembly (Includes 11-27 carburetor repair kit 12 757 01, high altitude kit 12 755 09)	12 053 12*	18	Spring, choke return	12 089 10
11	Needle, idle fuel adjusting	12 368 01	19	Plate, choke	12 146 02
12	Spring, idle fuel & idle speed adjusting (2)	12 089 09	20	Jet, main	12 337 01
13	Screw, idle speed adjusting	12 086 04	21	Needle and Seat (Available only in Carburetor Repair Kit)	
14	Plate, throttle	12 146 03	22	Kit, float	12 757 02
15	Screw, valve (2)	25 086 27	23	Gasket, bowl	12 041 05
16	Shaft, throttle w/lever & seal	12 144 09	24	Bowl, fuel	12 104 01
17	Shaft, choke	12 144 08	25	Gasket, bowl retainer screw	12 041 06
18	Spring, choke return	12 089 10	26	Screw, bowl retainer	12 086 05
19	Plate, choke	12 146 02	10	Carburetor assembly (Includes 11-26 carburetor repair kit 12 757 03, high altitude kit 12 755 09)	12 053 22*
20	Jet, main	12 337 01	11	Needle, idle fuel adjusting	12 368 01
21	Needle and Seat (Available only in Carburetor Repair Kit)		12	Spring, idle fuel & idle speed adjusting (2)	12 089 09
22	Kit, float	12 757 02	13	Screw, idle speed adjusting	12 086 04
23	Gasket, bowl	12 041 05	14	Plate, throttle	12 146 03
24	Bowl, fuel	12 104 01	15	Screw, valve (2)	25 086 27
25	Gasket, bowl retainer screw	12 041 06	16	Shaft, throttle w/lever & seal	12 144 09
26	Screw, bowl retainer	12 086 05	17	Shaft, choke	12 144 08
27	Screw, throttle stop	12 086 12	18	Spring, choke return	12 089 10
10	Carburetor assembly (Includes 11-26 carburetor repair kit 12 757 01, high altitude kit 12 755 09)	12 053 13*	19	Plate, choke	12 146 02
11	Needle, idle fuel adjusting	12 368 01	20	Jet, main	12 337 01
12	Spring, idle fuel & idle speed adjusting (2)	12 089 09	21	Needle and Seat (Available only in Carburetor Repair Kit)	
13	Screw, idle speed adjusting	12 086 04	22	Kit, float	12 757 02
14	Plate, throttle	12 146 03	23	Gasket, bowl	12 041 05
15	Screw, valve (2)	25 086 27	24	Bowl, fuel	12 104 01
16	Shaft, throttle w/lever & seal	12 144 09	25	Gasket, bowl retainer screw	12 041 06
17	Shaft, choke	12 144 08	26	Screw, bowl retainer	12 086 05
18	Spring, choke return	12 089 10	10	Carburetor assembly (Includes 11-26 carburetor repair kit 12 757 03, high altitude kit 12 755 09)	12 053 27*
19	Plate, choke	12 146 02	11	Needle, idle fuel adjusting	12 368 01
20	Jet, main	12 337 09	12	Spring, idle fuel & idle speed adjusting (2)	12 089 09
21	Needle and Seat (Available only in Carburetor Repair Kit)		13	Screw, idle speed adjusting	12 086 04
22	Kit, float	12 757 02	14	Plate, throttle	12 146 03
23	Gasket, bowl	12 041 05	15	Screw, valve (2)	25 086 27
24	Bowl, fuel	12 104 01	16	Shaft, throttle w/lever & seal	12 144 09
25	Gasket, bowl retainer screw	12 041 06	17	Shaft, choke	12 144 08
26	Screw, bowl retainer	12 086 05	18	Spring, choke return	12 089 10
10	Carburetor assembly (Includes 11-26 carburetor repair kit 12 757 01, high altitude kit 12 755 09)	12 053 16*	19	Plate, choke	12 146 02
11	Needle, idle fuel adjusting	12 368 01	20	Jet, main	12 337 01
12	Spring, idle fuel & idle speed adjusting (2)	12 089 09	21	Needle and Seat (Available only in Carburetor Repair Kit)	
13	Screw, idle speed adjusting	12 086 04	22	Kit, float	12 757 02
14	Plate, throttle	12 146 03	23	Gasket, bowl	12 041 05
15	Screw, valve (2)	25 086 27	24	Bowl, fuel	12 104 01
16	Shaft, throttle w/lever & seal	12 144 09	25	Gasket, bowl retainer screw	12 041 06
17	Shaft, choke	12 144 08	26	Screw, bowl retainer	12 086 05

*NOTE: Carburetor assembly is for information only, not available separately.

CV11,12.5,14,15

Fuel System (Cont.)



Index Number	Description Variation Number	Part Number	Index Number	Description Variation Number	Part Number
28	Kit, carburetor (Includes 8,9,29-31, Carburetor assembly 12 053 26*)	12 853 20	30	Spring, choke return 5,16,18,33,34,40,53,54,55,60,61, 62,63,65,66,68,70,71,73,74,80, 82,92,96,98,101,206,260,263,264, 265,266,269,271,275	12 089 23
28	Kit, carburetor (Includes 8,9,29-31, Carburetor assembly 12 053 28*)	12 853 22	31	Carburetor assembly (Includes 32-49, carburetor repair kit 12 757 01, high altitude kit 12 755 36, choke repair kit 12 757 11)	12 053 26*
28	Kit, carburetor (Includes 8,9,29-31, Carburetor assembly 12 053 30*)	12 853 23	32	Needle, idle fuel adjusting	12 368 03
28	Kit, carburetor (Includes 8,9,29-31, Carburetor assembly 12 053 39*)	12 853 35	33	Spring, idle fuel & idle speed adjusting (2)	12 089 09
28	Kit, carburetor (Includes 8,9,29-31, Carburetor assembly 12 053 40*)	12 853 36	34	Screw, idle speed adjusting	12 086 04
29	Linkage, choke 5,16,18,33,34,40,53,54,55,60,61, 62,63,65,66,68,70,71,73,74,80, 82,92,96,98,101,206,260,263,264, 265,266,269,271,275	12 079 07	35	Plate, throttle	12 146 03
			36	Screw, valve (4)	25 086 27
			37	Shaft, throttle w/lever & seal	12 144 09
			38	Cap, choke lever	12 173 06
			39	Shaft, choke	12 144 18

*NOTE: Carburetor assembly is for information only, not available separately.

**Fuel System
(Cont.)**

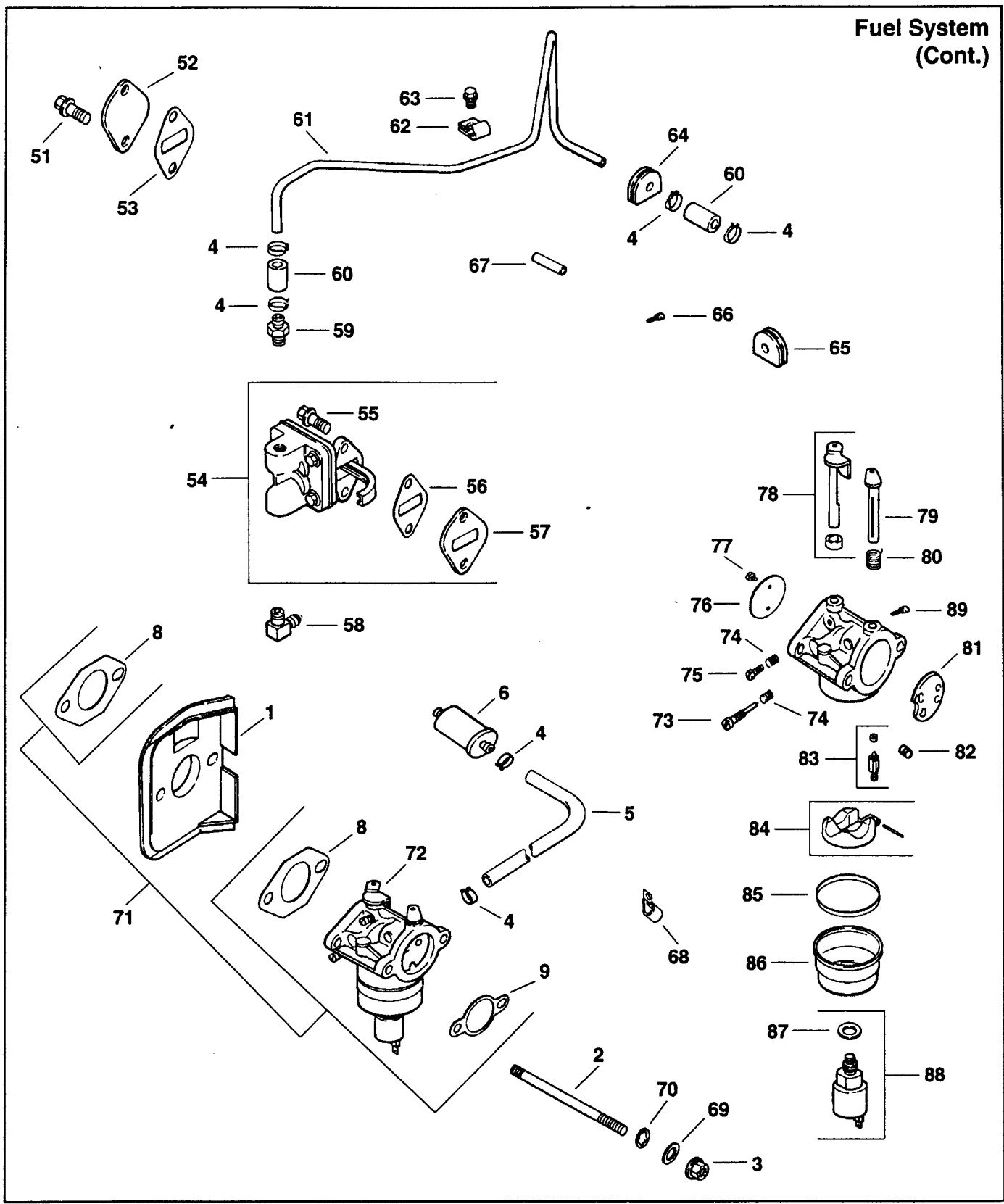
CV11,12.5,14,15

Index Number	Description Variation Number	Part Number	Index Number	Description Variation Number	Part Number
40	Kit, choke lever repair (Includes 36,41)	12 757 12	46	Gasket, bowl	12 041 05
41	Bushing, choke	12 158 01	47	Bowl, fuel	12 104 01
42	Plate, choke	12 146 10	48	Gasket, bowl retainer screw	12 041 06
43	Jet, main	12 337 07	49	Screw, bowl retainer	12 086 05
44	Needle and Seat (Available only in Carburetor Repair Kit)		50	Screw, throttle stop	12 086 12
45	Kit, float	12 757 02	31	Carburetor assembly (Includes 32-49, carburetor repair kit 12 757 03, high altitude kit 12 755 36, choke repair kit 12 757 11)	12 053 39*
46	Gasket, bowl	12 041 05	32	Needle, idle fuel adjusting	12 368 03
47	Bowl, fuel	12 104 01	33	Spring, idle fuel & idle speed adjusting (2)	12 089 09
48	Gasket, bowl retainer screw	12 041 06	34	Screw, idle speed adjusting	12 086 04
49	Screw, bowl retainer	12 086 05	35	Plate, throttle	12 146 03
31	Carburetor assembly (Includes 32-49, carburetor repair kit 12 757 01, high altitude kit 12 755 36, choke repair kit 12 757 11)	12 053 28*	36	Screw, valve (4)	25 086 27
32	Needle, idle fuel adjusting	12 368 03	37	Shaft, throttle w/lever & seal	12 144 09
33	Spring, idle fuel & idle speed adjusting (2)	12 089 09	38	Cap, choke lever	12 173 06
34	Screw, idle speed adjusting	12 086 04	39	Shaft, choke	12 144 18
35	Plate, throttle	12 146 03	40	Kit, choke lever repair (Includes 36,41)	12 757 12
36	Screw, valve (4)	25 086 27	41	Bushing, choke	12 158 01
37	Shaft, throttle w/lever & seal	12 144 09	42	Plate, choke	12 146 10
38	Cap, choke lever	12 173 06	43	Jet, main	12 337 07
39	Shaft, choke	12 144 18	44	Needle and Seat (Available only in Carburetor Repair Kit)	
40	Kit, choke lever repair (Includes 36,41)	12 757 12	45	Kit, float	12 757 02
41	Bushing, choke	12 158 01	46	Gasket, bowl	12 041 05
42	Plate, choke	12 146 10	47	Bowl, fuel	12 104 01
43	Jet, main	12 337 07	48	Gasket, bowl retainer screw	12 041 06
44	Needle and Seat (Available only in Carburetor Repair Kit)		49	Screw, bowl retainer	12 086 05
45	Kit, float	12 757 02	31	Carburetor assembly (Includes 32-49, carburetor repair kit 12 757 03, high altitude kit 12 755 36, choke repair kit 12 757 11)	12 053 40*
46	Gasket, bowl	12 041 05	32	Needle, idle fuel adjusting	12 368 03
47	Bowl, fuel	12 104 01	33	Spring, idle fuel & idle speed adjusting (2)	12 089 09
48	Gasket, bowl retainer screw	12 041 06	34	Screw, idle speed adjusting	12 086 04
49	Screw, bowl retainer	12 086 05	35	Plate, throttle	12 146 03
31	Carburetor assembly (Includes 32-50, carburetor repair kit 12 757 01, high altitude kit 12 755 36, choke repair kit 12 757 11)	12 053 30*	36	Screw, valve (4)	25 086 27
32	Needle, idle fuel adjusting	12 368 03	37	Shaft, throttle w/lever & seal	12 144 09
33	Spring, idle fuel & idle speed adjusting (2)	12 089 09	38	Cap, choke lever	12 173 06
34	Screw, idle speed adjusting	12 086 04	39	Shaft, choke	12 144 18
35	Plate, throttle	12 146 03	40	Kit, choke lever repair (Includes 36,41)	12 757 12
36	Screw, valve (4)	25 086 27	41	Bushing, choke	12 158 01
37	Shaft, throttle w/lever & seal	12 144 09	42	Plate, choke	12 146 10
38	Cap, choke lever	12 173 06	43	Jet, main	12 337 07
39	Shaft, choke	12 144 18	44	Needle and Seat (Available only in Carburetor Repair Kit)	
40	Kit, choke lever repair (Includes 36,41)	12 757 12	45	Kit, float	12 757 02
41	Bushing, choke	12 158 01	46	Gasket, bowl	12 041 05
42	Plate, choke	12 146 10	47	Bowl, fuel	12 104 01
43	Jet, main	12 337 07	48	Gasket, bowl retainer screw	12 041 06
44	Needle and Seat (Available only in Carburetor Repair Kit)		49	Screw, bowl retainer	12 086 05
45	Kit, float	12 757 02			

*NOTE: Carburetor assembly is for information only, not available separately.

CV11,12.5,14,15

Fuel System (Cont.)



Index Number	Description Variation Number	Part Number	Index Number	Description Variation Number	Part Number
51	Screw, hex. flange M6x1.0x16 (2) 10,13,18,33,68,70	SM-0645016	52	Cover, fuel pump 10,13,18,33,68,70	240282

**Fuel System
(Cont.)**

CV11,12.5,14,15

Index Number	Description Variation Number	Part Number	Index Number	Description Variation Number	Part Number
53	Gasket, fuel pump 10,13,18,33,68,70	25 041 05	63	Screw, hex. flange M5x0.8x10 (Use after Serial No. 2133000004, but before Serial No. 2200300014) 21	M-0545010
54	Kit, fuel pump (Includes 55-57) 6,9,11,14,34,40,41,50,59,60,62, 200,206,211,260,266,269	12 559 01	64	Grommet 1,6,7,8,9,10,11,13,14,16,17,18,21, 22,33,34,36,37,40,41,42,45,50,53, 57,59,60,61,62,63,65,66,68,70,71, 72,81,83,92,96,98,101,200,201, 206,211,212,236,242,260,263,264, 265,266,269,271,275,281	12 313 01
54	Kit, fuel pump (Includes 55-57) (Use after Serial No. 2133000004, but before Serial No. 2200300014) 21	12 559 01	64	Grommet (2) 4	12 313 01
55	Screw, hex. flange M6x1.0x20 (2) 6,9,11,14,21,34,40,41,50,59,60,62, 200,206,211,260,266,269	M-0645020	65	Grommet 10,13,33,68,212,217	12 313 05
56	Gasket, fuel pump (2) 6,9,11,14,21,34,40,41,50,59,60,62, 200,206,211,260,266,269	25 041 09	66	Screw, ground wire mount 4,14,37,41,45,54,55,59,80,82	12 086 07
57	Spacer, fuel pump 6,9,11,14,21,34,40,41,50,59,60,62, 200,206,211,260,266,269	12 112 05	67	Sleeve 4,14,37,41,45,54,55,59,80,82	12 431 01
58	Connector, hose - 90° 1/4" 6,9,11,14,34,40,41,50,59,60,62, 200,206,211,260,266,269	25 155 02	68	Clip, fuel line (2) 18,53,54,55,63,90,263	47 154 01
58	Connector, hose - 90° 1/4" (Use after Serial No. 2133000004, but before Serial No. 2200300014) 21	25 155 02	68	Clip, fuel line 4,36,37,42,45,57,59,61,66,72,73, 74,80,82,91,93,96,212,242,264, 266,275	47 154 01
59	Connector, hose - straight 1/8" 6,9,11,14,34,40,41,50,59,60,62, 200,206,211,260,266,269	X-380-1	69	Washer, plain 1/4" 41,45,54,55,59,80,82	X-25-63
59	Connector, hose - straight 1/8" (Use after Serial No. 2133000004, but before Serial No. 2200300014) 21	X-380-1	69	Washer, plain 1/4"(2) 4,14,37	X-25-63
60	Line, fuel 1-1/4" (2) 6,9,11,14,34,40,41,50,59,60,62, 200,206,211,260,266,269	12 353 01	70	Washer, lock 1/4" 4,14,37,41,45,54,55,59,80,82	X-22-11
60	Line, fuel 1-1/4" (2) (Use after Serial No. 2133000004, but before Serial No. 2200300014) 21	12 353 01	71	Kit, carburetor (Includes 8,9,72, Carburetor assembly 12 053 04*)	12 853 04
61	Line, fuel 6,9,11,14,34,40,41,50,59,60,62, 200,206,211,260,266,269	12 123 01	71	Kit, carburetor (Includes 8,9,72, Carburetor assembly 12 053 06*)	12 853 06
61	Line, fuel (Use after Serial No. 2133000004, but before Serial No. 2200300014) 21	12 123 01	71	Kit, carburetor (Includes 8,9,72, Carburetor assembly 12 053 09*)	12 853 08
62	Clip, fuel line 6,9,11,14,34,40,41,50,59,60,62, 200,206,211,260,266,269	12 154 01	71	Kit, carburetor (Includes 8,9,72, Carburetor assembly 12 053 21*)	12 853 16
62	Clip, fuel line (Use after Serial No. 2133000004, but before Serial No. 2200300014) 21	12 154 01	71	Kit, carburetor (Includes 8,9,72, Carburetor assembly 12 053 32*)	12 853 26
63	Screw, hex. flange M5x0.8x10 6,9,11,14,34,36,40,41,45,50,59, 60,61,62,73,200,201,206,211,242, 260,266,269,281	M-0545010	72	Carburetor assembly (Includes 73-88, high altitude kit 12 755 09, carburetor repair kit 12 757 03)	12 053 04*
			73	Needle, idle fuel adjusting	12 368 01
			74	Spring, idle fuel & idle speed adjusting (2)	12 089 09
			75	Screw, idle speed adjusting	12 086 04
			76	Plate, throttle	12 146 03
			77	Screw, valve (2)	25 086 27

*NOTE: Carburetor assembly is for information only, not available separately.

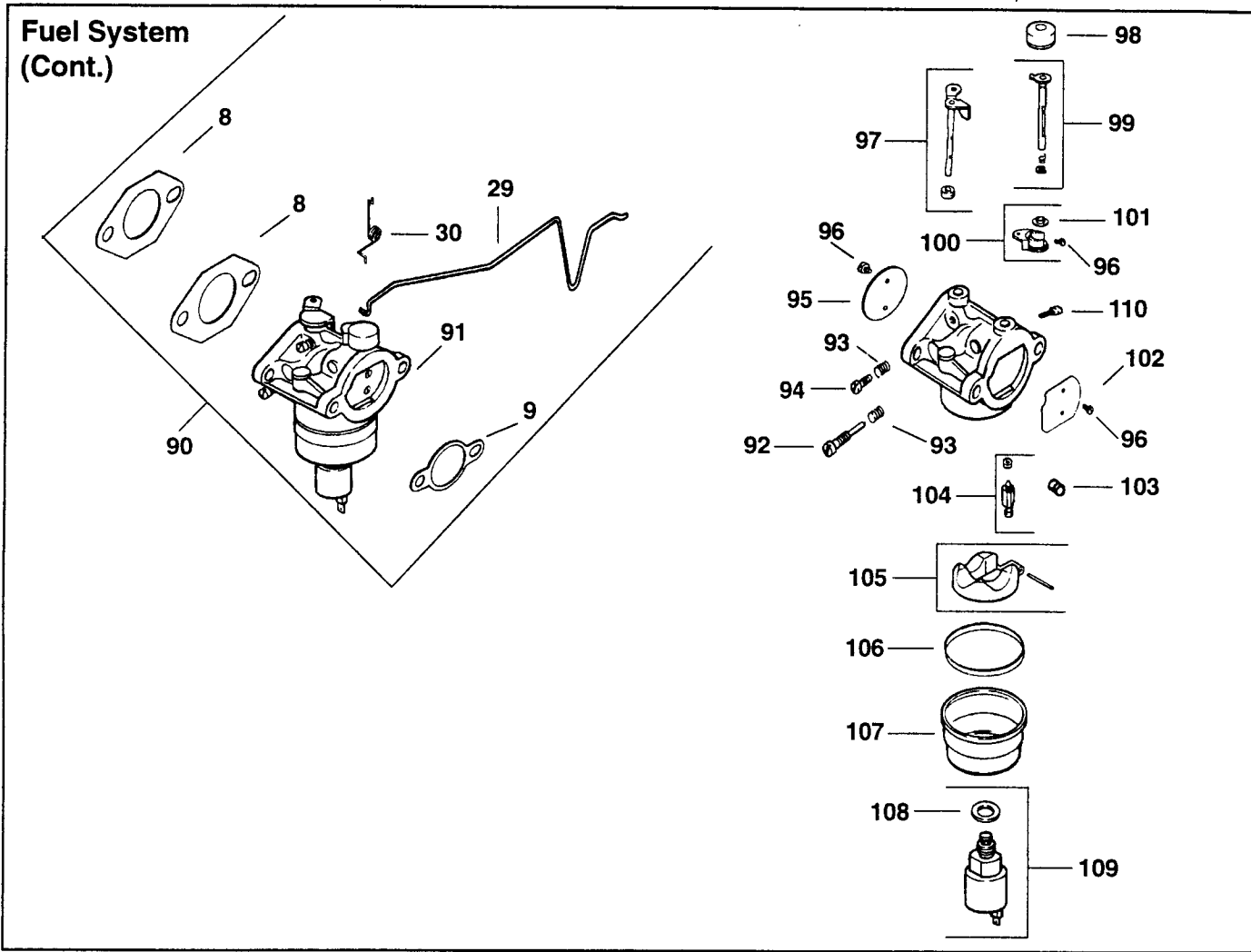
CV11,12.5,14,15

Fuel System
(Cont.)

Index Number	Description Variation Number	Part Number	Index Number	Description Variation Number	Part Number
78	Shaft, throttle w/lever & seal	12 144 09	84	Kit, float	12 757 02
79	Shaft, choke	12 144 08	85	Gasket, bowl	12 041 05
80	Spring, choke return	12 089 10	86	Bowl, fuel	12 104 01
81	Plate, choke	12 146 02	87	Gasket, bowl retainer screw	12 041 06
82	Jet, main	12 337 01	88	Kit, solenoid (Includes 87)	12 757 09
83	Needle and Seat (Available only in Carburetor Repair Kit)		72	Carburetor assembly (Includes 73-88, high altitude kit 12 755 09, carburetor repair kit 12 757 01)	12 053 21*
84	Kit, float	12 757 02	73	Needle, idle fuel adjusting	12 368 01
85	Gasket, bowl	12 041 05	74	Spring, idle fuel & idle speed adjusting (2)	12 089 09
86	Bowl, fuel	12 104 01	75	Screw, idle speed adjusting	12 086 04
87	Gasket, bowl retainer screw	12 041 06	76	Plate, throttle	12 146 03
88	Kit, solenoid (Includes 87)	12 757 09	77	Screw, valve (2)	25 086 27
72	Carburetor assembly (Includes 73-89, high altitude kit 12 755 09, carburetor repair kit 12 757 03)	12 053 06*	78	Shaft, throttle w/lever & seal	12 144 09
73	Needle, idle fuel adjusting	12 368 01	79	Shaft, choke	12 144 08
74	Spring, idle fuel & idle speed adjusting (2)	12 089 09	80	Spring, choke return	12 089 10
75	Screw, idle speed adjusting	12 086 04	81	Plate, choke	12 146 02
76	Plate, throttle	12 146 03	82	Jet, main	12 337 01
77	Screw, valve (2)	25 086 27	83	Needle and Seat (Available only in Carburetor Repair Kit)	
78	Shaft, throttle w/lever & seal	12 144 09	84	Kit, float	12 757 02
79	Shaft, choke	12 144 08	85	Gasket, bowl	12 041 05
80	Spring, choke return	12 089 10	86	Bowl, fuel	12 104 01
81	Plate, choke	12 146 02	87	Gasket, bowl retainer screw	12 041 06
82	Jet, main	12 337 01	88	Kit, solenoid (Includes 87)	12 757 09
83	Needle and Seat (Available only in Carburetor Repair Kit)		72	Carburetor assembly (Includes 73-88, high altitude kit 12 755 09, carburetor repair kit 12 757 03)	12 053 32*
84	Kit, float	12 757 02	73	Needle, idle fuel adjusting	12 368 01
85	Gasket, bowl	12 041 05	74	Spring, idle fuel & idle speed adjusting (2)	12 089 09
86	Bowl, fuel	12 104 01	75	Screw, idle speed adjusting	12 086 04
87	Gasket, bowl retainer screw	12 041 06	76	Plate, throttle	12 146 03
88	Kit, solenoid (Includes 89)	12 757 09	77	Screw, valve (2)	25 086 27
89	Screw, throttle stop	12 086 08	78	Shaft, throttle w/lever & seal	12 144 09
72	Carburetor assembly (Includes 73-88, high altitude kit 12 755 09, carburetor repair kit 12 757 01)	12 053 09*	79	Shaft, choke	12 144 08
73	Needle, idle fuel adjusting	12 368 01	80	Spring, choke return	12 089 10
74	Spring, idle fuel & idle speed adjusting (2)	12 089 09	81	Plate, choke	12 146 02
75	Screw, idle speed adjusting	12 086 04	82	Jet, main	12 337 01
76	Plate, throttle	12 146 03	83	Needle and Seat (Available only in Carburetor Repair Kit)	
77	Screw, valve (2)	25 086 27	84	Kit, float	12 757 02
78	Shaft, throttle w/lever & seal	12 144 09	85	Gasket, bowl	12 041 05
79	Shaft, choke	12 144 08	86	Bowl, fuel	12 104 01
80	Spring, choke return	12 089 10	87	Gasket, bowl retainer screw	12 041 06
81	Plate, choke	12 146 02	88	Kit, solenoid (Includes 87)	12 757 09
82	Jet, main	12 337 01			
83	Needle and Seat (Available only in Carburetor Repair Kit)				

*NOTE: Carburetor assembly is for information only, not available separately.

CV11,12.5,14,15



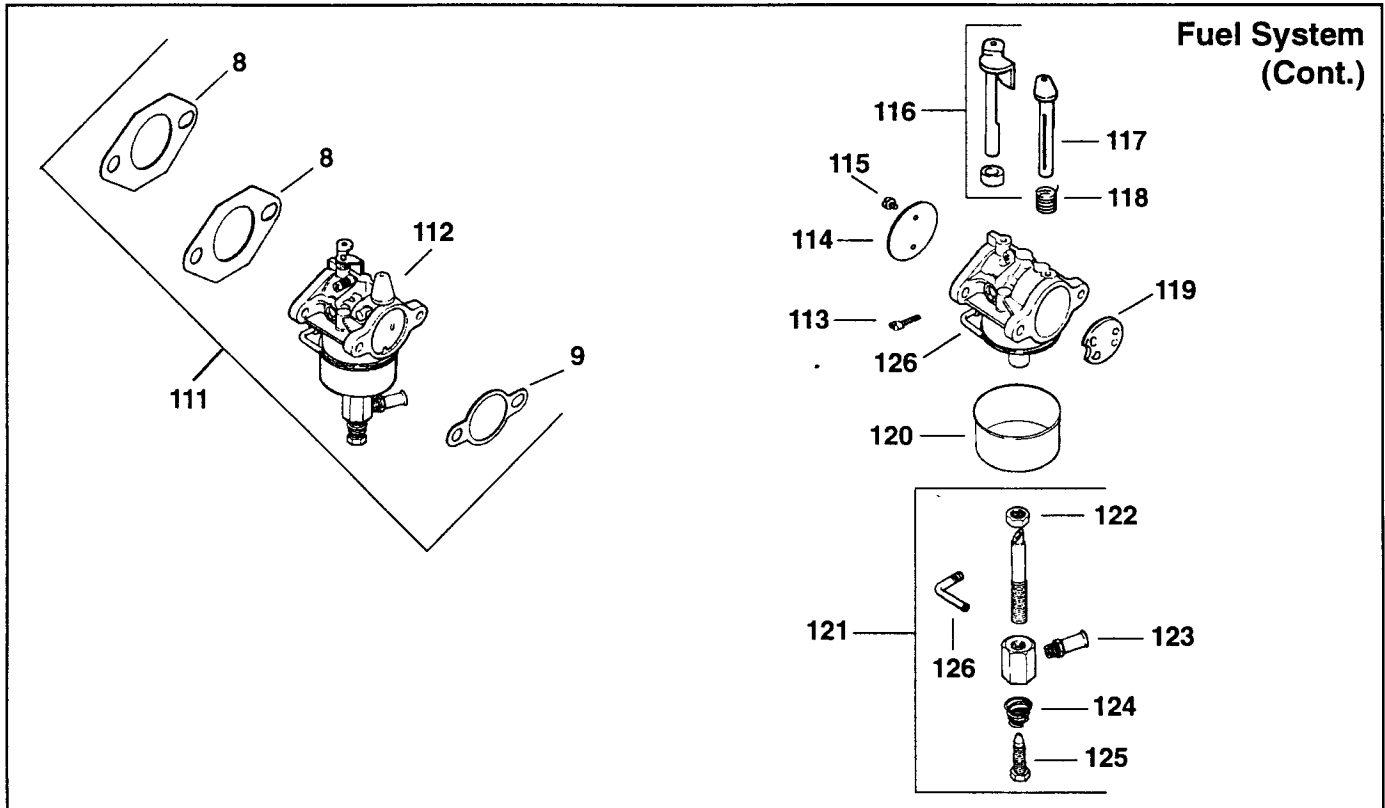
Index Number	Description Variation Number	Part Number	Index Number	Description Variation Number	Part Number
90	Kit, carburetor (Includes 8,9,29,30,91, Carburetor assembly 12 053 25*)	12 853 18	104	Needle and Seat (Available only in Carburetor Repair Kit)	
90	Kit, carburetor (Includes 8,9,29,30,91, Carburetor assembly 12 053 23*)	12 853 19	105	Kit, float	12 757 02
91	Carburetor assembly (Includes 92-110, high altitude kit 12 755 36, choke repair kit 12 757 08, carburetor repair kit 12 757 03)	12 053 23*	106	Gasket, bowl	12 041 05
92	Needle, idle fuel adjusting	12 368 03	107	Bowl, fuel	12 104 01
93	Spring, idle fuel & idle speed adjusting (2)	12 089 09	108	Gasket, bowl retainer screw	12 041 06
94	Screw, idle speed adjusting	12 086 04	109	Kit, solenoid (Includes 108)	12 757 09
95	Plate, throttle	12 146 03	110	Screw, throttle stop	12 086 08
96	Screw, valve (4)	25 086 27	91	Carburetor assembly (Includes 92-109, high altitude kit 12 755 36, choke repair kit 12 757 08, carburetor repair kit 12 757 03)	12 053 25*
97	Shaft, throttle w/lever & seal	12 144 09	92	Needle, idle fuel adjusting	12 368 03
98	Cap, choke lever	12 173 06	93	Spring, idle fuel & idle speed adjusting (2)	12 089 09
99	Shaft, choke	12 144 17	94	Screw, idle speed adjusting	12 086 04
100	Kit, choke lever repair (Includes 96,101)	12 757 12	95	Plate, throttle	12 146 03
101	Bushing, choke	12 158 01	96	Screw, valve (4)	25 086 27
102	Plate, choke	12 146 12	97	Shaft, throttle w/lever & seal	12 144 09
103	Jet, main	12 337 07			

*NOTE: Carburetor assembly is for information only, not available separately.

CV11,12.5,14,15

Fuel System (Cont.)

Index Number	Description Variation Number	Part Number	Index Number	Description Variation Number	Part Number
98	Cap, choke lever	12 173 06	104	Needle and Seat (Available only in Carburetor Repair Kit)	
99	Shaft, choke	12 144 17	105	Kit, float	12 757 02
100	Kit, choke lever repair (Includes 96,101)	12 757 12	106	Gasket, bowl	12 041 05
101	Bushing, choke	12 158 01	107	Bowl, fuel	12 104 01
102	Plate, choke	12 146 12	108	Gasket, bowl retainer screw	12 041 06
103	Jet, main	12 337 07	109	Kit, solenoid (Includes 108)	12 757 06



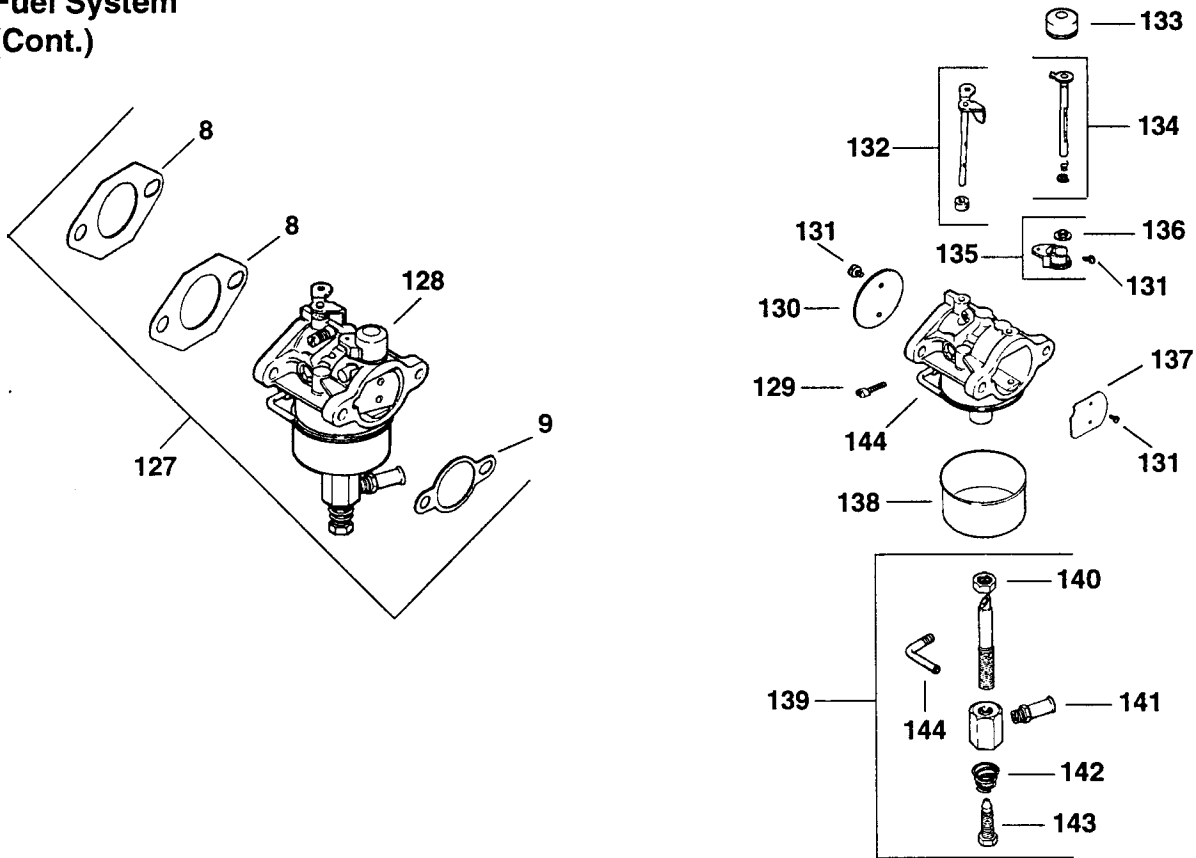
Fuel System (Cont.)

Index Number	Description Variation Number	Part Number	Index Number	Description Variation Number	Part Number
111	Kit, carburetor – LPG (Includes 8,9,112, Carburetor assembly 12 053 08* or 12 053 20*)	12 853 07	112	Carburetor assembly (Includes 113-126)	12 053 20*
112	Carburetor assembly (Includes 113-126)	12 053 08*	113	Screw, idle speed adjusting	12 086 04
113	Screw, idle speed adjusting	12 086 04	114	Plate, throttle	12 146 03
114	Plate, throttle	12 146 03	115	Screw, valve (4)	25 086 27
115	Screw, valve (2)	25 086 07	116	Shaft, throttle w/lever & seal	12 144 09
116	Shaft, throttle w/lever & seal	12 144 09	117	Shaft, choke	12 144 08
117	Shaft, choke	12 144 08	118	Spring, choke return	12 089 10
118	Spring, choke return	12 089 10	119	Plate, choke	12 146 09
119	Plate, choke	12 146 02	120	Bowl, fuel	12 104 01
120	Bowl, fuel	12 104 01	121	Kit, carburetor repair (Includes 122-126)	12 757 07
121	Kit, carburetor repair (Includes 122-126)	12 757 07	122	Nut, hex. jam	12 100 03
122	Nut, hex. jam	12 100 03	123	Fitting, hose to pipe	12 294 04
123	Fitting, hose to pipe	12 294 04	124	Spring, idle adjustment	12 089 22
124	Spring, idle adjustment	12 089 22	125	Screw, power adjustment	12 086 19
125	Screw, power adjustment	12 086 19	126	Tube, vacuum	12 123 14
126	Tube, vacuum	12 123 14			

*NOTE: Carburetor assembly is for information only, not available separately.

CV11,12.5,14,15

Fuel System (Cont.)

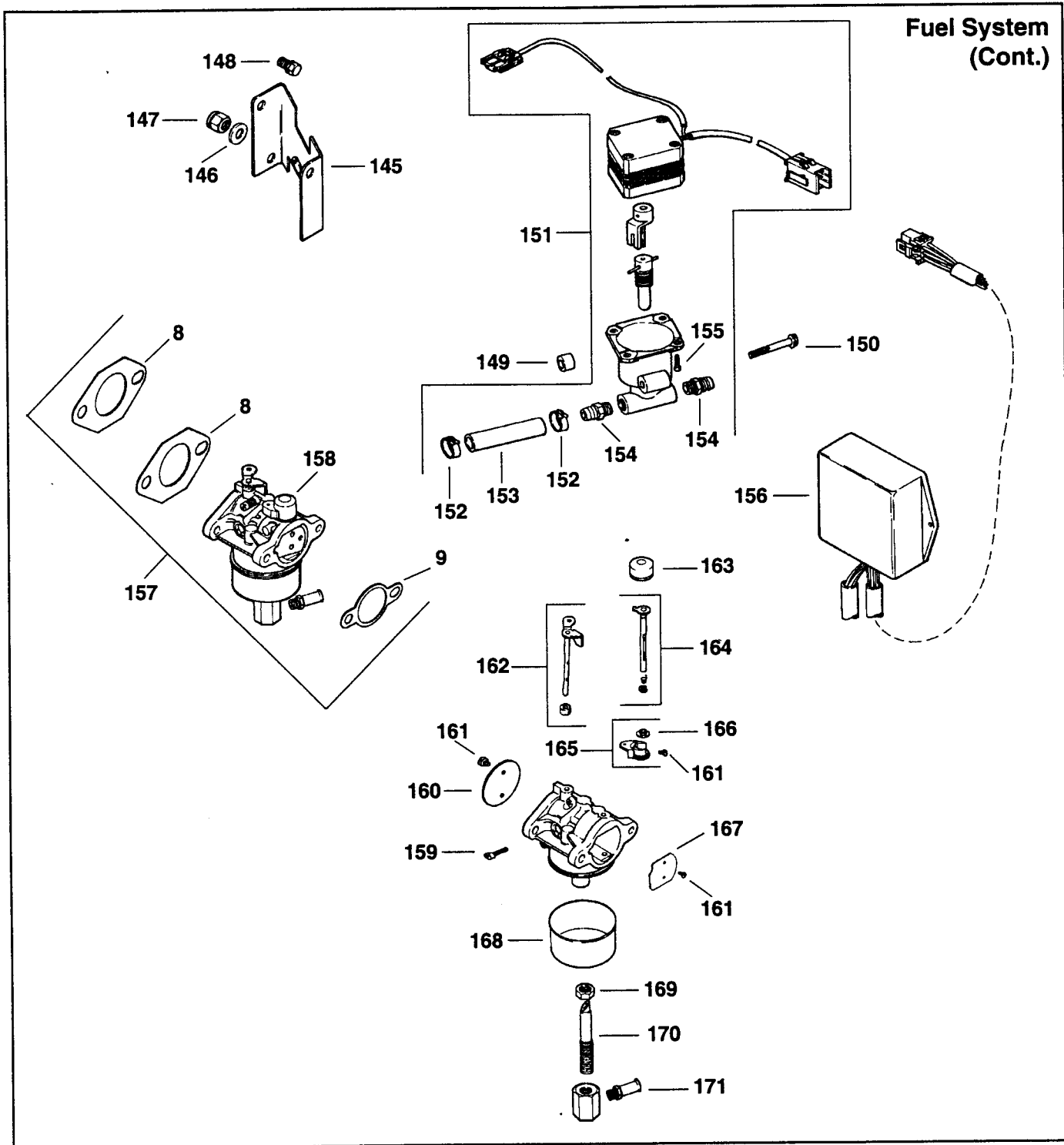


Index Number	Description Variation Number	Part Number	Index Number	Description Variation Number	Part Number
127	Kit, carburetor – LPG (Includes 8,9,128, Carburetor assembly 12 053 31*)	12 853 25	135	Kit, choke lever repair (Includes 131,136)	12 757 12
128	Carburetor assembly (Includes 129-143, choke repair kit 12 757 13)	12 053 31*	136	Bushing, choke	12 158 01
129	Screw, idle speed adjusting	12 086 04	137	Plate, choke	12 146 12
130	Plate, throttle	12 146 03	138	Bowl, fuel	12 104 01
131	Screw, valve (4)	25 086 27	139	Kit, carburetor repair (Includes 140-144)	12 757 07
132	Shaft, throttle w/lever & seal	12 144 09	140	Nut, hex. jam	12 100 03
133	Cap, choke lever	12 173 06	141	Fitting, hose to pipe	12 294 04
134	Shaft, choke	12 144 20	142	Spring, idle adjustment	12 089 22
			143	Screw, power adjustment	12 086 19
			144	Tube, vacuum	12 123 14

*NOTE: Carburetor assembly is for information only, not available separately.

CV11,12.5,14,15

Fuel System (Cont.)



Index Number	Description Variation Number	Part Number	Index Number	Description Variation Number	Part Number
145	Bracket, stepper motor 83	12 126 48	149	Spacer (2) 83	265861
146	Washer, plain 1/4" 83	X-25-53	150	Screw, hex. flange M6x1.0x45 (2) 83	M-0639045
147	Nut, hex. flange M6x1.0 83	M-0641060	151	Valve, fuel metering (Includes 152-155) 83	12 462 08
148	Screw, hex. flange M5x0.8x10 (2) 83	M-0545010	152	Clamp, hose (2) 83	X-426-9

**Fuel System
(Cont.)**

CV11,12.5,14,15

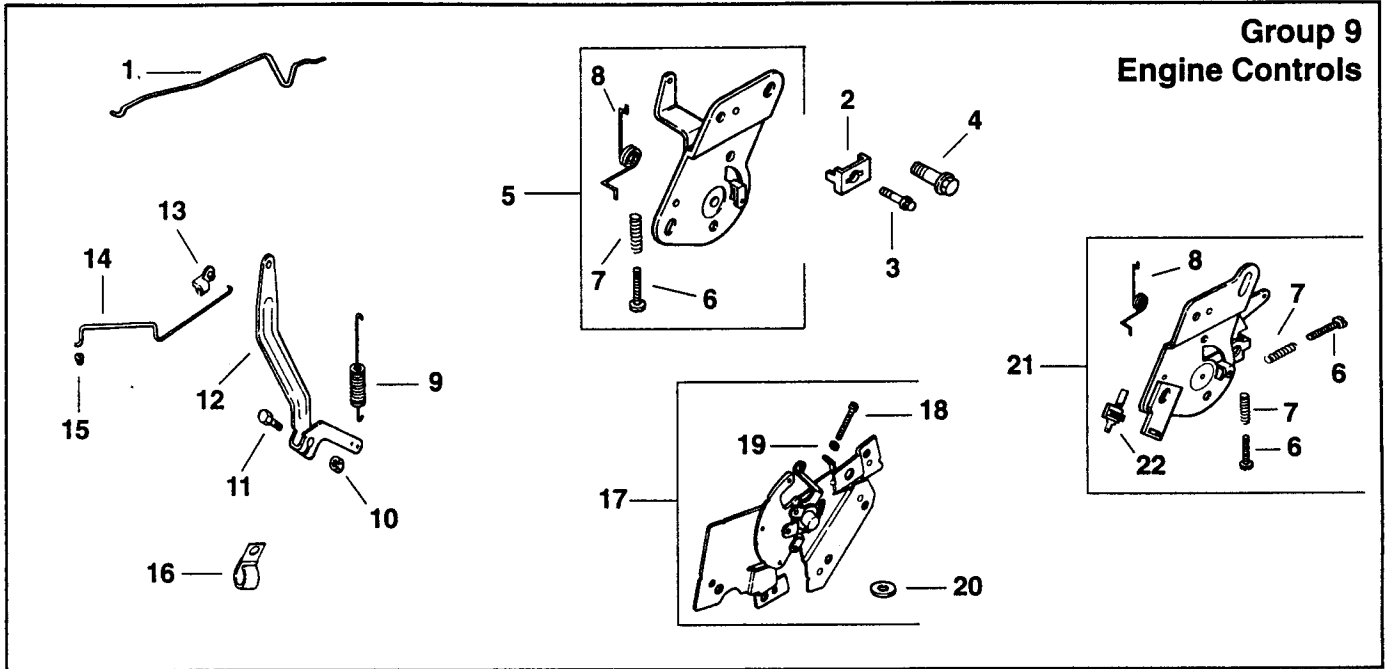
Index Number	Description Variation Number	Part Number	Index Number	Description Variation Number	Part Number
153	Line, fuel 1-3/4" 83	25 353 20		Kit, carburetor repair (Includes carburetor gasket, air filter base gasket, fuel bowl gasket, bowl screw gasket, welch plug, inlet needle valve, valve inlet seat, solenoid seal)	12 757 01
154	Fitting, barbed 1/8-27 N.P.T.F. (2) 83	12 294 06		Kit, carburetor repair (Includes carburetor gasket, air filter base gasket, fuel bowl gasket, bowl screw gasket, welch plug, inlet needle valve, valve inlet seat, solenoid seal)	12 757 03
155	Screw, hex. socket hd. (5) 83	25 086 44		Kit, high altitude (Includes carburetor gasket, air filter base gasket, fuel bowl gasket, bowl screw gasket, main jet)	12 755 09
156	Electronic Control Unit 83	12 526 01		Kit, high altitude (Includes carburetor gasket, air filter base gasket, fuel bowl gasket, bowl screw gasket, main jet)	12 755 36
157	Kit, carburetor w/gasket - LPG (Includes 8,9,158, Carburetor assembly 12 053 38*)	12 853 34		Kit, choke repair (Includes choke lever, choke shaft assembly, choke plate, choke bushing, choke lever cap, valve screw)	12 757 08
158	Carburetor assembly (Includes 159-171, carburetor repair kit 12 757 13)	12 053 38*		Kit, choke repair (Includes choke lever, choke shaft assembly, choke plate, choke bushing, choke lever cap, valve screw)	12 757 11
159	Screw, idle speed adjusting	12 086 04		Kit, choke repair (Includes choke lever, choke shaft assembly, choke plate, choke bushing, choke lever cap, valve screw)	12 757 13
160	Plate, throttle	12 146 03		Kit, carburetor conversion (Includes carburetor gasket, air filter base gasket bowl screw gasket, ground wire mount screw, shrink tube, fuel solenoid assembly, solenoid leads, tractor solenoid lead, ground lead)	90,91 12 755 34
161	Screw, valve (4)	25 086 27			
162	Shaft, throttle w/lever & seal	12 144 09			
163	Cap, choke lever	12 173 06			
164	Shaft, choke	12 144 20			
165	Kit, choke lever repair (Includes 161,166)	12 757 12			
166	Bushing, choke	12 158 01			
167	Plate, choke	12 146 12			
168	Bowl, fuel	12 104 01			
169	Nut, hex. jam	12 100 03			
170	Valve, metering	12 462 07			
171	Fitting, hose to pipe	12 294 04			
Not Illustrated					
	Lead, red, solenoid (6" - 20 gauge - terminals: 1 uninsulated push on tab, 1 fully insulated push on tab) 4,37,45,54,55	12 518 04			
	Lead, red, solenoid (20" - 20 gauge - terminals: 2 uninsulated push on tabs) 14,59,80,82	12 518 05			
	Lead, green, ground wire (5" - 18 gauge - terminals: 2 insulated grip barrel eyelets) 4,14,37,45,54,55,59,80,82	41 518 34			

NOTE: For decals, see Accessories Catalog E-1953-A.

***NOTE: Carburetor assembly is for information only, not available separately.**

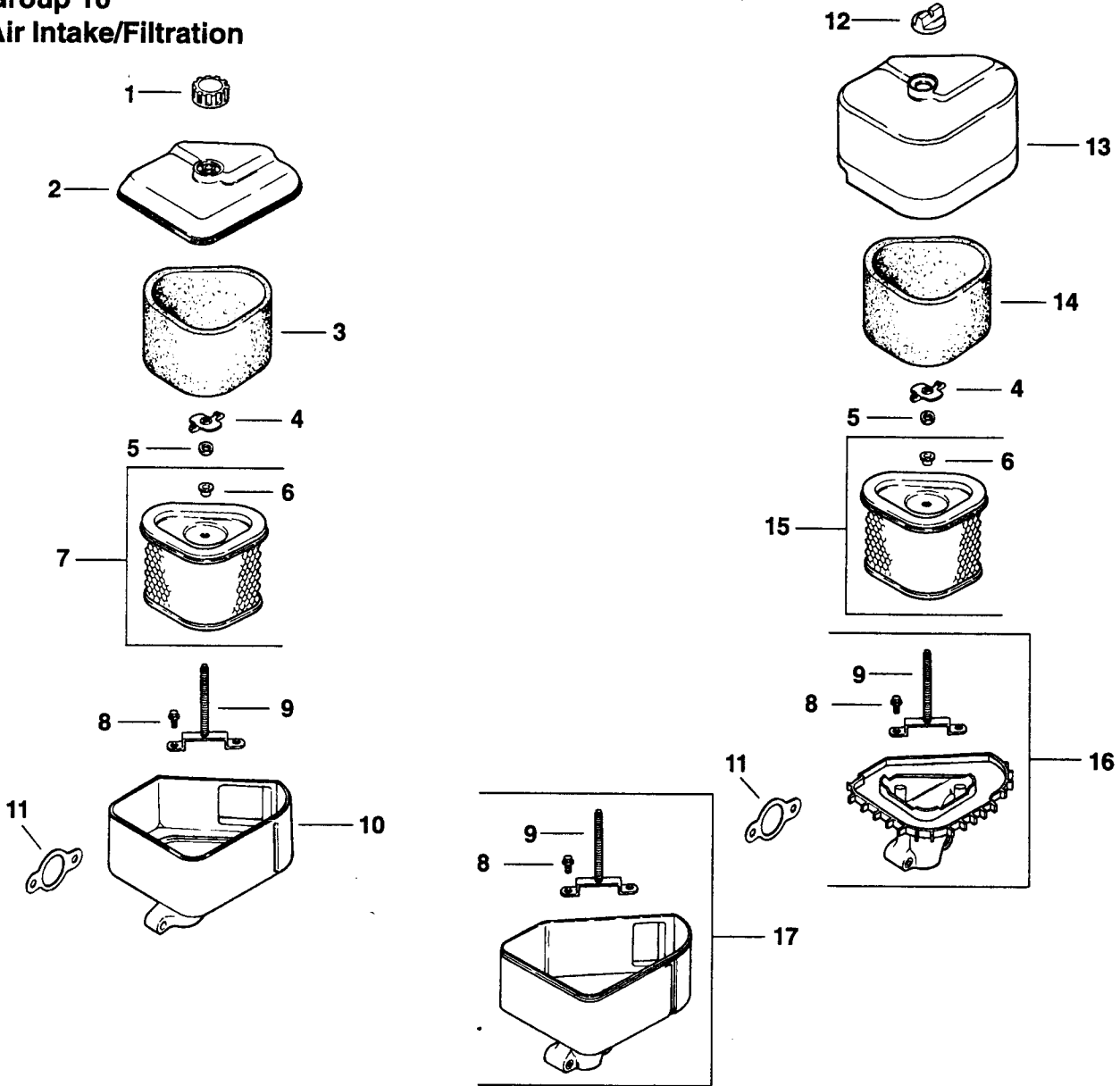
CV11,12.5,14,15

Group 9 Engine Controls



Index Number	Description Variation Number	Part Number	Index Number	Description Variation Number	Part Number
1	Linkage, choke 1,2,3,4,5,9,15,19,20	12 079 07	9	Spring, governor 1,3,4,5,9,15,19,20	12 089 19
2	Clamp, cable 1,3,4,5,9,15,19,20	12 237 01	10	Nut, hex. flange M6x1.0 1,2,3,4,5,9,15,19,20	SM-0641060
2	Clamp, cable (2) 2	12 237 01	11	Screw, hex. cap M6x1.0x25 1,2,3,4,5,9,15,19,20	SM-0642025
3	Screw, hex. flange M5x0.8x16 1,3,4,5,9,15,19,20	SM-0545016	12	Lever, governor 1,2,3,4,5,9,15,19,20	12 090 05
3	Screw, hex. flange M5x0.8x16 (2) 2	SM-0545016	13	Bushing, linkage black 1,2,3,4,5,9,15,19,20	25 158 11
4	Screw, hex. flange M6x1.0x16 (2) 3,15,19	M-0645016	14	Linkage, throttle 1,2,3,4,5,9,15,19,20	12 079 01
4	Screw, hex. flange M6x1.0x20 (2) 1,9	M-0645020	15	Bushing, linkage natural 1,2,3,4,5,9,15,19,20	25 158 08
5	Speed Control Assembly (Includes 6-8) 1,3,5,9,15,20	12 536 01	16	Clamp, cable 5,20	48 154 02
6	Screw, pan hd. M4x0.7x25 1,3,5,9,15,20	SM-0443025	17	Speed Control Assembly (Includes 18-20) 2	12 536 02
6	Screw, pan hd. M4x0.7x25 (2) 4,19	SM-0443025	18	Screw, hex. flange M4x0.7x30 2	M-0401030
7	Spring, choke 1,3,5,9,15,20	12 089 11	19	Nut, hex. M4x0.7 2	M-0446030
7	Spring, choke (2) 4,19	12 089 11	20	Spacer, shim .005 2	230293
8	Spring, choke return 1,3,4,5,9,15,19,20	12 089 23	21	Speed Control Assembly (Includes 6-8,22) 4,19	12 536 06
9	Spring, governor 2	52 089 07	22	Terminal, kill switch 4,19	25 452 14

**Group 10
Air Intake/Filtration**



Index Number	Description Variation Number	Part Number	Index Number	Description Variation Number	Part Number
The air cleaner system has gone through a series of changes, order components according to design used on engine.					
1	Knob, air cleaner cover 1,3,4,8,201	12 341 01	2	Cover, air cleaner 1,2,3,4,8,201	12 096 06
1	Knob, air cleaner cover (Use before Serial No. 2404900014) 2,213	12 341 01	2	Cover, air cleaner (Use before Serial No. 2413300014) 202	12 096 06
1	Knob, air cleaner cover (Use before Serial No. 2413300014) 202	12 341 01	2	Cover, air cleaner (Use before Serial No. 2327400014) 212,223,224	12 096 06
1	Knob, air cleaner cover (Use before Serial No. 2327400014) 212,223,224	12 341 01	2	Cover, air cleaner (Use before Serial No. 2404900014) 213	12 096 06
			3	Precleaner 1,2,3,4,8,201,212	12 083 08

CV11,12.5,14,15

Air Intake/Filtration (Cont.)

Index Number	Description Variation Number	Part Number	Index Number	Description Variation Number	Part Number
3	Precleaner (Use before Serial No. 2413300014) 202	12 083 08	9	Stud, mounting plate M6x1.0x66 (Use after Serial No. 2327400004) 212	12 072 05
3	Precleaner (Use before Serial No. 2406100014) 203,223,224	12 083 08	9	Stud, mounting plate M6x1.0x75 (Use before Serial No. 2404900014) 213	12 072 03
3	Precleaner (Use before Serial No. 2404900014) 213	12 083 08	9	Stud, mounting plate M6x1.0x79 (Use after Serial No. 2404900004) 213	12 072 04
4	Nut, wing 1,2,3,4,8,13,201,202,203,212,213, 223,224	12 100 01	9	Stud, mounting plate M6x1.0x66 (Use after Serial No. 2327400004, but before Serial No. 2406100014) 223,224	12 072 05
5	Washer, plain 1/4" 1,2,3,4,8,13,201,202,203,212,213, 223,224	X-25-63	10	Base, air cleaner (Replaced by 12 094 08) 1,2,3,4,201	12 094 01
6	Grommet 1,2,3,4,8,13,201,202,203,212,213, 223,224	12 313 04	10	Base, air cleaner (Use before Serial No. 2413300014) (Replaced by 12 094 08) 202	12 094 01
7	Element, air cleaner (Includes 6) 1,2,4,8,201,212	12 083 05	10	Base, air cleaner (Use before Serial No. 2327400014) (Replaced by 12 094 08) 212,223,224	12 094 01
7	Element, air cleaner (Includes 6) 3	12 083 09	10	Base, air cleaner (Use before Serial No. 2404900014) (Replaced by 12 094 08) 213	12 094 01
7	Element, air cleaner (Includes 6) (Use before Serial No. 2413300014) 202	12 083 05	11	Gasket, air cleaner 1,2,3,4,8,13,201,202,203,212,213, 223,224	12 041 02
7	Element, air cleaner (Includes 6) (Use before Serial No. 2406100014) 203,223,224	12 083 05	12	Knob, air cleaner cover 13,203	15 341 01
7	Element, air cleaner (Includes 6) (Use before Serial No. 2404900014) 213	12 083 05	12	Knob, air cleaner cover (Use after Serial No. 2413300004) 202	15 341 01
8	Screw, hex. cap #10 HI-Lo thread-forming (2) 1,2,3,4,8,13,201,202,203,212,213, 223,224	12 086 01	12	Knob, air cleaner cover (Use after Serial No. 1327400004) 212,223,224	15 341 01
9	Stud, mounting plate M6x1.0x75 1,2,3,4,8,201	12 072 03	12	Knob, air cleaner cover (Use after Serial No. 2404900004) 213	15 341 01
9	Stud, mounting plate M6x1.0x79 13	12 072 04	13	Cover, air cleaner 13,203	12 096 16
9	Stud, mounting plate M6x1.0x75 (Use before Serial No. 2413300014) 202	12 072 03	13	Cover, air cleaner (Use after Serial No. 2413300004) 202	12 096 16
9	Stud, mounting plate M6x1.0x79 (Use after Serial No. 2413300004) 202	12 072 04	13	Cover, air cleaner (Use after Serial No. 2327400014) 212,223,224	12 096 16
9	Stud, mounting plate M6x1.0x66 (Use before Serial No. 2406100014) 203	12 072 05	13	Cover, air cleaner (Use after Serial No. 2404900004) 213	12 096 16
9	Stud, mounting plate M6x1.0x79 (Use after Serial No. 2406100004) 203,223,224	12 072 04	14	Precleaner 13	12 083 12
9	Stud, mounting plate M6x1.0x75 (Use before Serial No. 2327400014) 212,223,224	12 072 03	14	Precleaner (Use after Serial No. 2413300004) 202	12 083 12

**Air Intake/Filtration
(Cont.)**

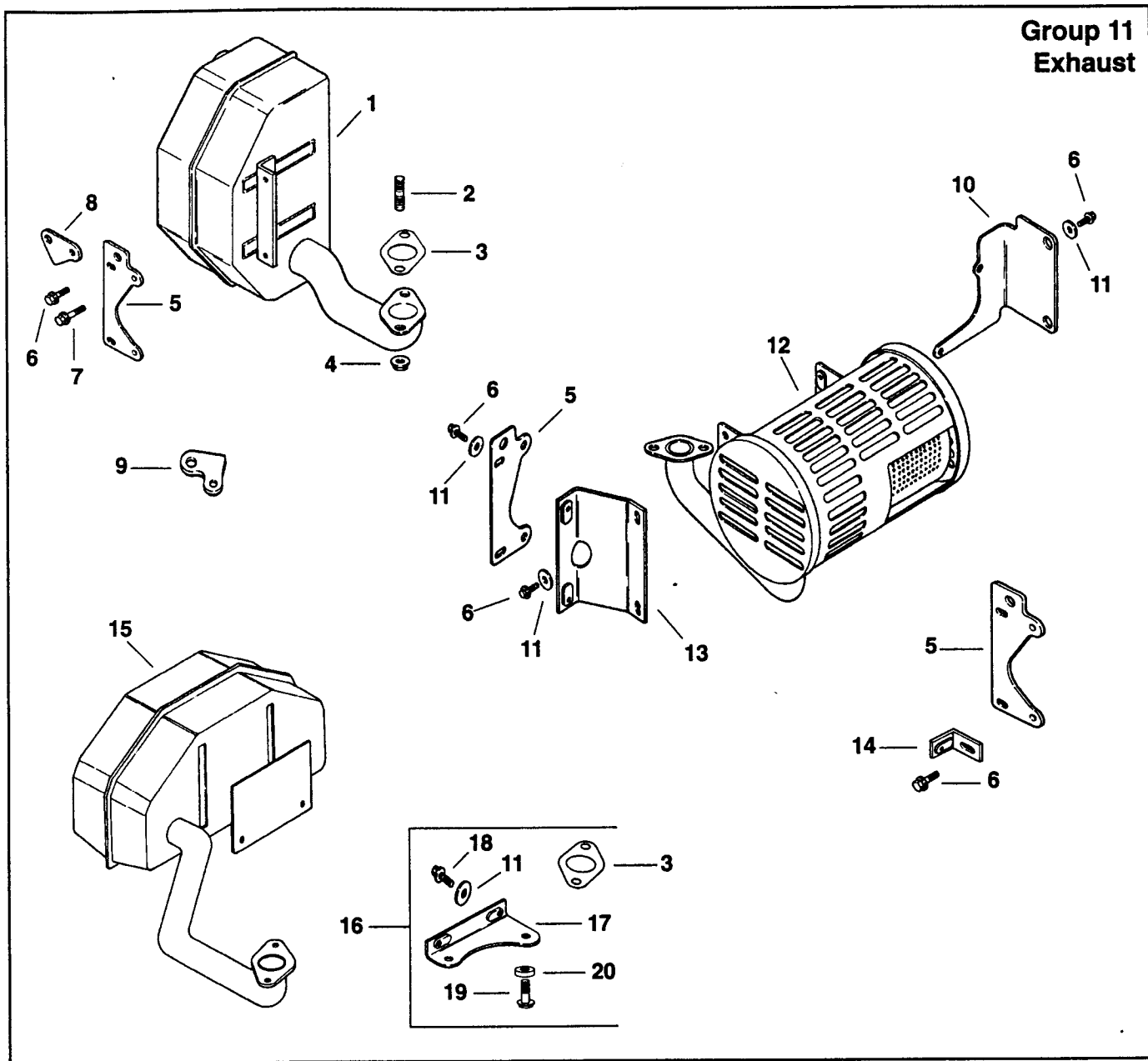
CV11,12.5,14,15

Index Number	Description Variation Number	Part Number	Index Number	Description Variation Number	Part Number
14	Precleaner (Use after Serial No. 2406100004) 203,223,224	12 083 12	16	Base, air cleaner (Includes 8,9) (Use before Serial No. 2406100014) 203	12 094 05
14	Precleaner (Use after Serial No. 2404900004) 213	12 083 12	16	Base, air cleaner (Includes 8,9) (Use after Serial No. 2406100004) 203,223,224	12 094 07
15	Element, air cleaner (Includes 6) 13	12 083 10	16	Base, air cleaner (Includes 8,9) (Use after Serial No. 2327400004) 212	12 094 05
15	Element, air cleaner (Includes 6) (Use after Serial No. 2413300004) 202	12 083 10	16	Base, air cleaner (Includes 8,9) (Use after Serial No. 2404900004) 213	12 094 07
15	Element, air cleaner (Includes 6) (Use after Serial No. 2406100004) 203,223,224	12 083 10	16	Base, air cleaner (Includes 8,9) (Use after Serial No. 2327400004, but before Serial No. 2406100014) 223,224	12 094 05
15	Element, air cleaner (Includes 6) (Use after Serial No. 2404900004) 213	12 083 10	17	Base, air cleaner (Includes 8,9) 8	12 094 08
16	Base, air cleaner (Includes 8,9) 13	12 094 07			
16	Base, air cleaner (Includes 8,9) (Use after Serial No. 2413300004) 202	12 094 07			

NOTE: For decals, see Accessories Catalog E-1953-A.

CV11,12.5,14,15

Group 11 Exhaust



Index Number	Description Variation Number	Part Number	Index Number	Description Variation Number	Part Number
1	Muffler 1,35	12 068 01	4	Nut, hex. flange M8x1.25 (2) (Use after Serial No. 2404700004) 246	25 100 07
2	Stud, M8x1.25x33 (2) 1,4,7,10,11,13,15,16,21,22,28,32, 35,43,46,47,48,200,201,209,210, 213,215,221,222,246,247,249	M-0829033	5	Bracket, muffler 1,7,15,21,22,35,46,48,200,221, 246,249	12 126 03
3	Gasket, exhaust manifold 1,4,7,11,13,15,16,21,22,28,32,35, 43,46,48,200,201,209,210,213, 215,221,222,246,247,249	12 041 03	5	Bracket, muffler (Use before Serial No. 2201300014 and after Serial No. 2205100004) 222	12 126 03
4	Nut, hex. flange M8x1.25 (2) 1,4,7,13,15,16,21,22,28,32,35,43, 48,200,201,209,210,213,215,221, 222,249	M-0841080	5	Bracket, muffler (Use before Serial No. 2123200014 and after Serial No. 2204800004) 215	12 126 03
4	Nut, hex. flange M8x1.25 (2) 11,46	25 100 07	6	Screw, hex. flange M6x1.0x16 4	M-0639016

**Exhaust
(Cont.)**

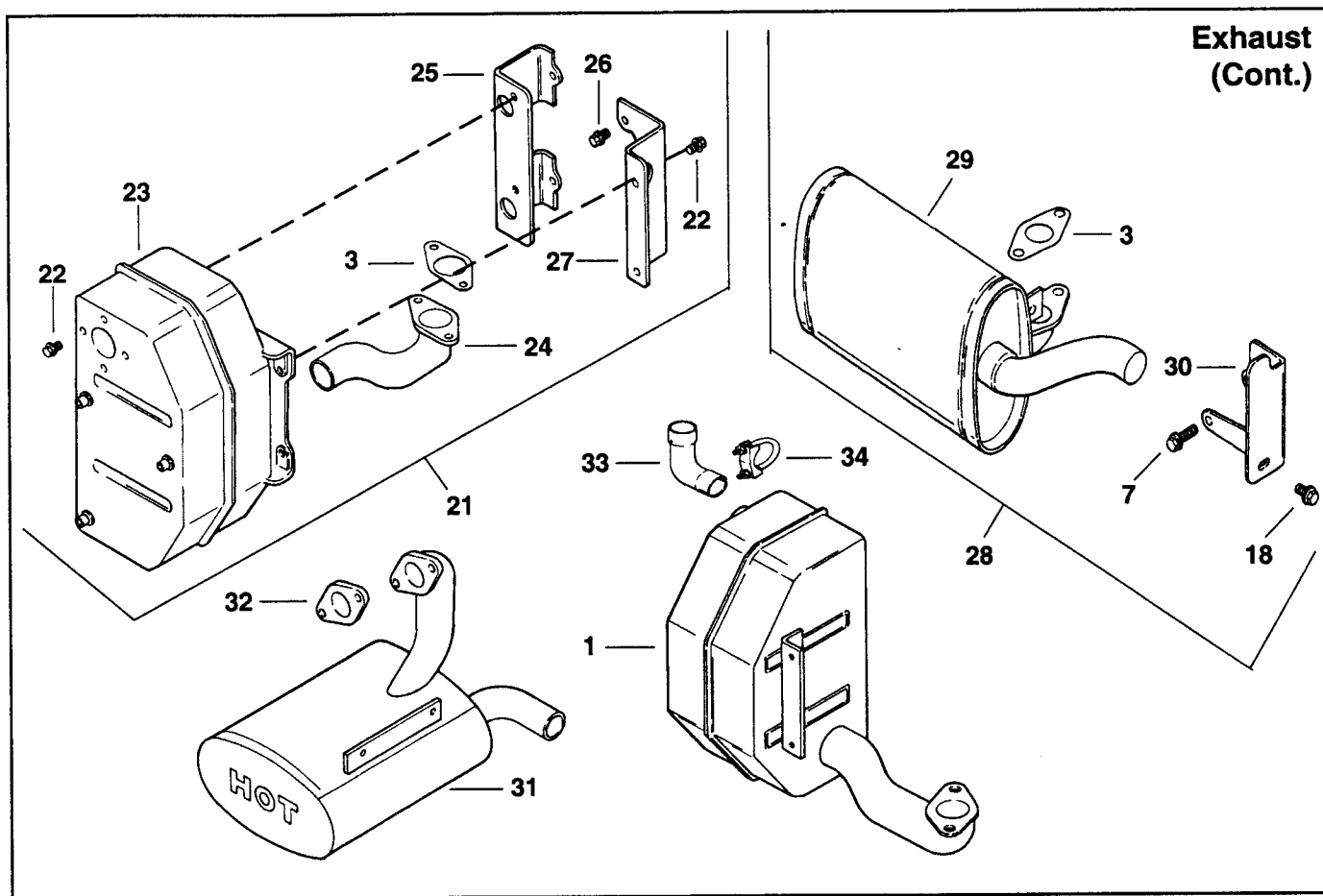
CV11,12.5,14,15

Index Number	Description Variation Number	Part Number	Index Number	Description Variation Number	Part Number
6	Screw, hex. flange M6x1.0x16 (8) 21	M-0639016	9	Strap, lifting (Use after Serial No. 2201300004 but before Serial No. 2205100014)	
6	Screw, hex. flange M6x1.0x16 (2) 35,48	M-0639016		222	12 445 01
6	Screw, hex. flange M6x1.0x16 (Before Serial No. 2129100014 use qty. 1, after Serial No. 2130900004, but before Serial No. 2318100014 use qty. 3, after Serial No. 2318100004 use qty. 6)		10	Bracket, muffler 4,21,249	12 126 06
	200	M-0639016	10	Bracket, muffler (Use after Serial No. 2318100004)	12 126 06
6	Screw, hex. flange M6x1.0x16 (Before Serial No. 2129500014 use qty. 2, after Serial No. 2129500004 use qty. 8)		10	Bracket, muffler (Use before Serial No. 2129500014)	12 126 38
	222	M-0639016		221	12 126 06
6	Screw, hex. flange M6x1.0x16 (10) 249	M-0639016	11	Washer, plain 1/4" (2) 1,16,32,35,46,209	X-25-78
7	Screw, hex. flange M6x1.0x25 (2) 1,7,11,15,22,35,43,46,48,56,246	M-0645025	11	Washer, plain 1/4" (2) 1,15,16,48,209	X-25-52
7	Screw, hex. flange M6x1.0x25 3,10,13,16,32,47,201,209,210, 213,247	M-0645025	11	Washer, plain 1/4" 46	X-25-78
7	Screw, hex. flange M6x1.0x20 3,10,13,16,32,209,210,213	M-0645020	11	Washer, plain 1/4" (8) 21,249	X-25-52
7	Screw, hex. flange M6x1.0x25 (3) 4	M-0645025	11	Washer, plain 1/4" (After Serial No. 2129100004, but before Serial No. 2130900014 use qty. 2, after Serial No. 2318100004 use qty. 6)	
7	Screw, hex. flange M6x1.0x25 (4) 21,28,200,221,249	M-0645025		200	X-25-52
7	Screw, hex. flange M6x1.0x20 (Use after Serial No. 2132900004, but before Serial No. 2204800014)		11	Washer, plain 1/4" (2) (Use before Serial No. 2132900014 and after Serial No. 2204800004)	
	215	M-0645020		215	X-25-52
7	Screw, hex. flange M6x1.0x25 (Before Serial No. 2132900014 and after Serial No. 2204800004 use qty. 2, after Serial No. 2132900004, but before Serial No. 2204800014 use qty. 1)		11	Washer, plain 1/4" (8) (Use after Serial No. 2129500014)	
	215	M-0645025		221	X-25-52
7	Screw, hex. flange M6x1.0x25 (Before Serial No. 2201300014 and after Serial No. 2205100004 use qty. 2, after Serial No. 2201300004, but before Serial No. 2205100014 use qty. 1)		11	Washer, plain 1/4" (2) (Use after Serial No. 2404700004)	
	222	M-0645025		246	X-25-52
7	Screw, hex. flange M6x1.0x20 (Use after Serial No. 2201300004 but before Serial No. 2205100014)		11	Washer, plain 1/4" (Use after Serial No. 2404700004)	
	222	M-0645020		246	X-25-78
8	Bracket, muffler 11,43,56	12 126 11	12	Muffler 21,249	12 068 07
9	Strap, lifting 3,4,10,11,13,16,32,43,47,56,201, 209,210,213,247	12 445 01	12	Muffler (Use after Serial No. 2318100004)	12 068 07
9	Strap, lifting (Use after Serial No. 2132900004 but before Serial No. 2204800014)		12	Muffler (Use after Serial No. 2129500004)	12 068 07
	215	12 445 01	13	Bracket, muffler 21,249	12 126 26
			13	Bracket, muffler (Use after Serial No. 2318100004)	12 126 26
			13	Bracket, muffler 200	12 126 26
			13	Bracket, muffler (Use after Serial No. 2129500004)	12 126 26
			14	Bracket, muffler 15	12 126 30

CV11,12.5,14,15

Exhaust (Cont.)

Index Number	Description Variation Number	Part Number	Index Number	Description Variation Number	Part Number
14	Bracket, muffler (Use before Serial No. 2318100014) 200	12 126 30	16	Kit, bracket (Includes 3,11,17-20) 16,32,209	12 755 30
14	Bracket, muffler (Use before Serial No. 2132900014 and after Serial No. 2204800004) 215	12 126 30	17	Bracket, muffler 16,32,209	12 126 39
14	Bracket, muffler (Use before Serial No. 2129500014) 221	12 126 30	18	Screw, hex. flange M6x1.0x12 (2) 16,32,209	M-0650012
15	Muffler 16,32,209	12 068 03	18	Screw, hex. flange M6x1.0x12 (3) 15,200,215,246	M-0650012
			19	Screw, hex. flange M8x1.25x50 16,32,209	12 086 13
			20	Washer, plain 11/32" 16,32,209	12 468 01



Exhaust (Cont.)

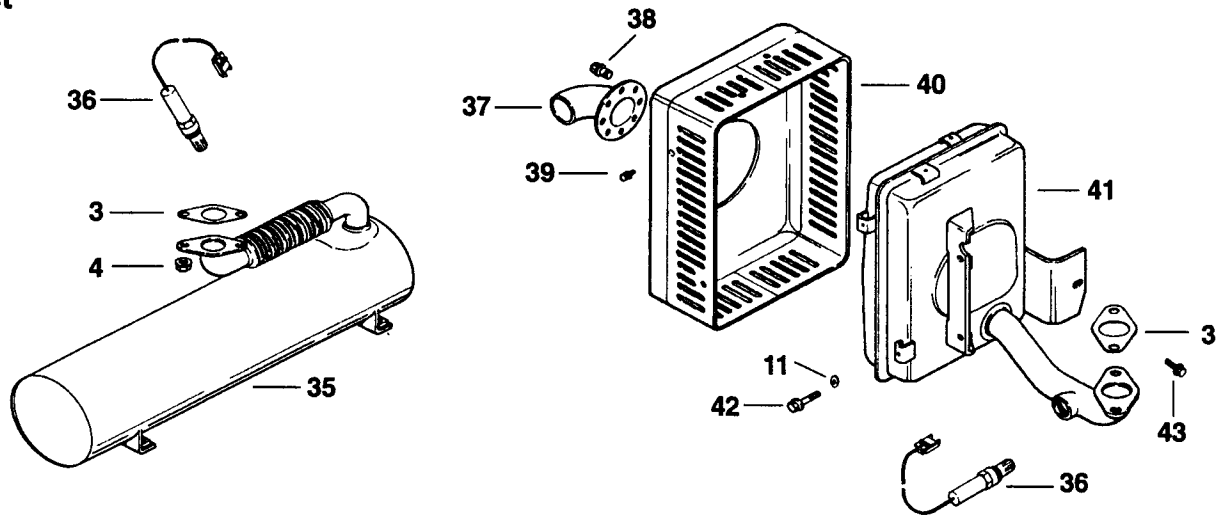
Index Number	Description Variation Number	Part Number	Index Number	Description Variation Number	Part Number
21	Kit, muffler (Includes 3,22-27) 4	12 755 29	22	Screw, hex. flange M6x1.0x16 (4) 4,28	M-0649016
21	Kit, muffler (Includes 3,22-27) (Use before Serial No. 2033700014 to convert, after Serial No. 2033700004 or after kit has been installed, individual kit components may be ordered for replacement.) 28	12 755 29	23	Muffler 4,28	12 068 11
			24	Pipe, inlet 4,28	12 382 01
			25	Bracket, muffler 4,28	12 126 40
			26	Screw, hex. flange M6x1.0x25 (2) 4,28	M-0649025
			27	Bracket, muffler 4,28	12 126 41

**Exhaust
(Cont.)**

CV11,12.5,14,15

Index Number	Description Variation Number	Part Number	Index Number	Description Variation Number	Part Number
28	Kit, muffler (Includes 3,7,18,29,30) 15	12 755 33	29	Muffler 15,200,215	12 068 14
28	Kit, muffler (Includes 3,7,18,29,30) (Use after Serial No. 2129100004, but before Serial No. 2130900014) 200	12 755 33	30	Bracket, muffler 15,200,215	12 126 38
28	Kit, muffler (Includes 3,7,18,29,30) (Use before Serial No. 2132900014 and after Serial No. 2204800004) 215	12 755 33	31	Muffler 48	12 068 19
			32	Flange, muffler 213	12 295 01
			33	Elbow, exhaust 35	12 054 02
			34	Clamp 35	47 237 04

**Exhaust
(Cont.)**



Index Number	Description Variation Number	Part Number	Index Number	Description Variation Number	Part Number
35	Muffler (Not supplied by Kohler Co., contact Original Equipment Manufacturer) ¹ 246		40	Guard, muffler 46,246	12 314 06 ¹
36	Sensor, oxygen 46,246	12 418 02 ¹	41	Muffler 46,246	12 068 17 ¹
37	Deflector, exhaust inner 46,246	12 265 03 ¹	42	Screw, hex. flange M6x1.0x16 (2) 46,246	M-0645016 ¹
38	Screw, hex. flange M5x0.8x10 (4) 46,246	M-0549010 ¹	43	Screw, hex. flange M5x0.8x16 46,246	M-0545016 ¹
39	Screw, sems drill 8-18x1/2" (6) 46,246	25 086 40 ¹	¹ NOTE: For Variation No. 246, before Serial No. 2404700014, order marked exhaust components according to design used on engine, after Serial No. 2404700004, use Index Nos. 36-43.		

CV11,12.5,14,15

Description	Part Number	Description	Part Number
CV11-14 Gasket Set (w/seals)	12 755 01	CV15 Gasket Set (w/seals)	12 755 59
<i>Set Includes:</i>		<i>Set Includes:</i>	
Seal, oil	12 032 03	Seal, oil	12 032 03
Seal, oil pump cover	12 032 04	Seal, oil pump cover	12 032 04
Gasket, carburetor	12 041 01	Gasket, carburetor	12 041 01
Gasket, air filter	12 041 02	Gasket, air filter	12 041 02
Gasket, exhaust manifold	12 041 03	Gasket, exhaust manifold	12 041 03
Gasket, cylinder head	12 041 08	Gasket, cylinder head	12 041 10
Gasket, oil filter	12 041 07	Gasket, oil filter	12 041 07
Gasket, collector plate	12 041 09	Gasket, collector plate	12 041 09
O-Ring	12 153 01	O-Ring	12 153 01
O-Ring, oil pick-up	12 153 04	O-Ring, oil pick-up	12 153 04
O-Ring, oil pump	12 153 05	O-Ring, oil pump	12 153 05
Gasket, fuel pump	25 041 05	Gasket, fuel pump	25 041 05
Gasket, fuel pump	25 041 09	Gasket, fuel pump	25 041 09